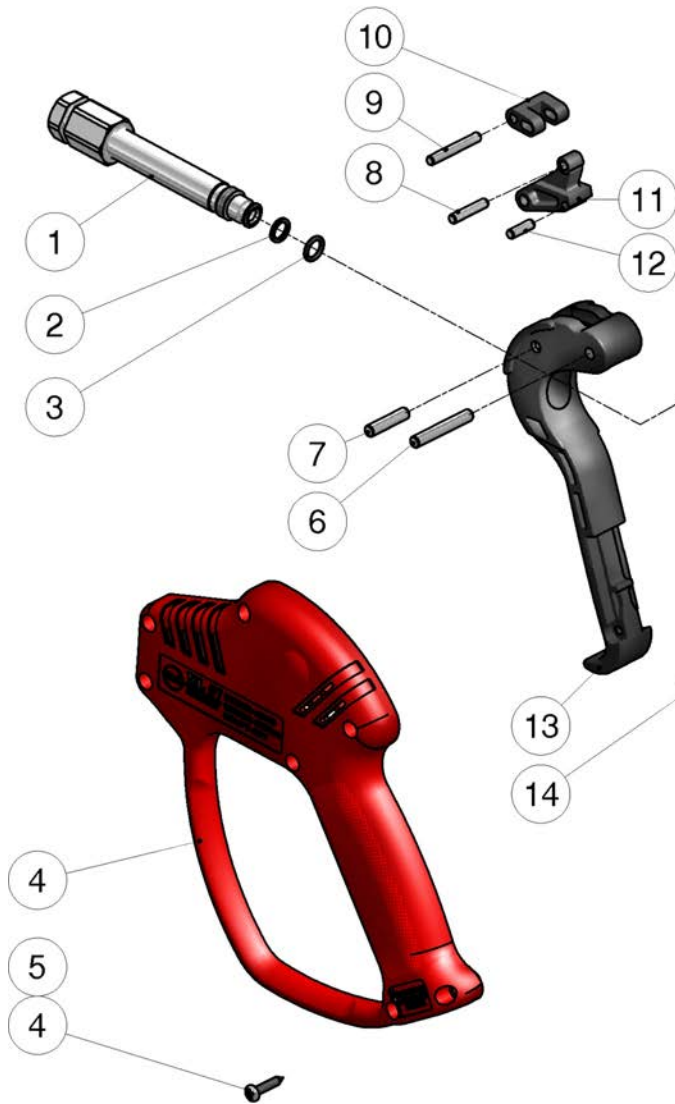
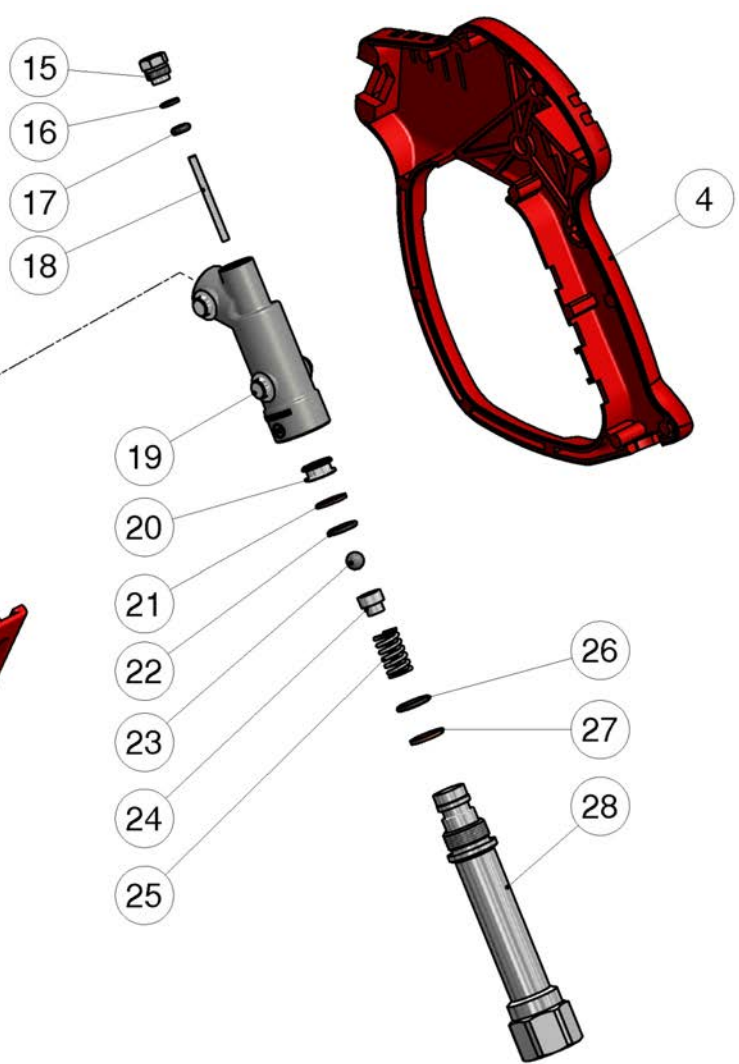


30.4700.00 RL57 spr.gun,sst 3/8F-1/4F Bsp



30.4700.50 RL57 spr.gun,sst 3/8F-1/4F Npt



Pos.	P/N	Description	Q.ty	K1	K2	K3	K4	
1	30.4703.51R	Sst. front tube, 1/4F Bsp (1)	1					2
1	30.4712.51R	Sst. front tube, 1/4F Npt (2)	1					2
2	10.4026.00R	Back-up ring, 7,7 x 10,5x1,2 mm	1	•				25
3	10.3055.10R	O-ring, 1,78x7,66 mm Vi 70	1	•				10
4	30.4711.24	Casing-kit -RL57 +sst. screws	1					1
5	16.3075.51R	S/tapping scr. 3,5x18 mm sst.	7					10
6	30.4114.51R	Parallel pin, 5x33 mm Sst.	1					10
7	30.4121.51R	Parallel pin, 5x22 mm Sst.	1					10
8	30.4112.51R	Parallel pin, 4x20 mm Sst.	1					10
9	30.4113.51R	Parallel pin, 4x29 mm Sst.	1					10
10	30.4104.84R	Connecting rod, PA black	1					10
11	30.4124.84R	Connecting rod -RL51/56, PA black	1					10
12	30.4122.51R	Parallel pin, 4x13 mm Sst.	1					10
13	30.4127.84R	Trigger -RL51/56, PA black	1					10
14	30.1510.84R	Safety latch, PA red	1					10

Kit	P/N	Description	Q.ty
K1	30.4713.24	Spar.kit -RL57 11x1pcs.	1

Pos.	P/N	Description	Q.ty	K1	K2	K3	K4	
15	30.4707.51R	Sst. front Plug, M10x1	1					2
16	10.4018.00R	Back-up ring, 3,2x7,5x1,2 mm	1	•				10
17	10.3165.00R	O-ring, 2,62x2,84 mm Vi 70	1	•				10
18	30.4109.51R	Piston, 3x37,6 mm Sst.	1	•				10
19	30.4705.55R	Sst housing -RL57	1					1
20	30.4708.51R	Seat, 4,8mm Sst.	1	•				2
21	10.4027.00R	Back-up ring, 10,2x13,0x1,2 mm	1	•				25
22	10.3057.10R	O-Ring 1,78 x 9,25 mm Viton	1	•				10
23	14.7430.78R	Ball, 9/32" tung.carb.	1	•				2
24	30.4704.51R	Sst ball holding piston	1					5
25	30.4108.51R	Spring, 1,6x8,8x24 mm Sst.	1					10
26	10.3058.10R	O-ring, 1,78x10,82 mm Vi 70	1	•				10
27	10.4090.00R	Back-up ring, 11,2x14x1,5 mm	1	•				10
28	30.4706.51R	Sst. inlet housing, 3/8F Bsp (1)	1					2
28	30.4709.51R	Sst. inlet housing, 3/8F Npt (2)	1					2

(1) 30.4700.00 (2) 30.4700.50