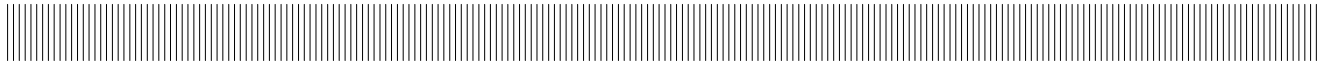


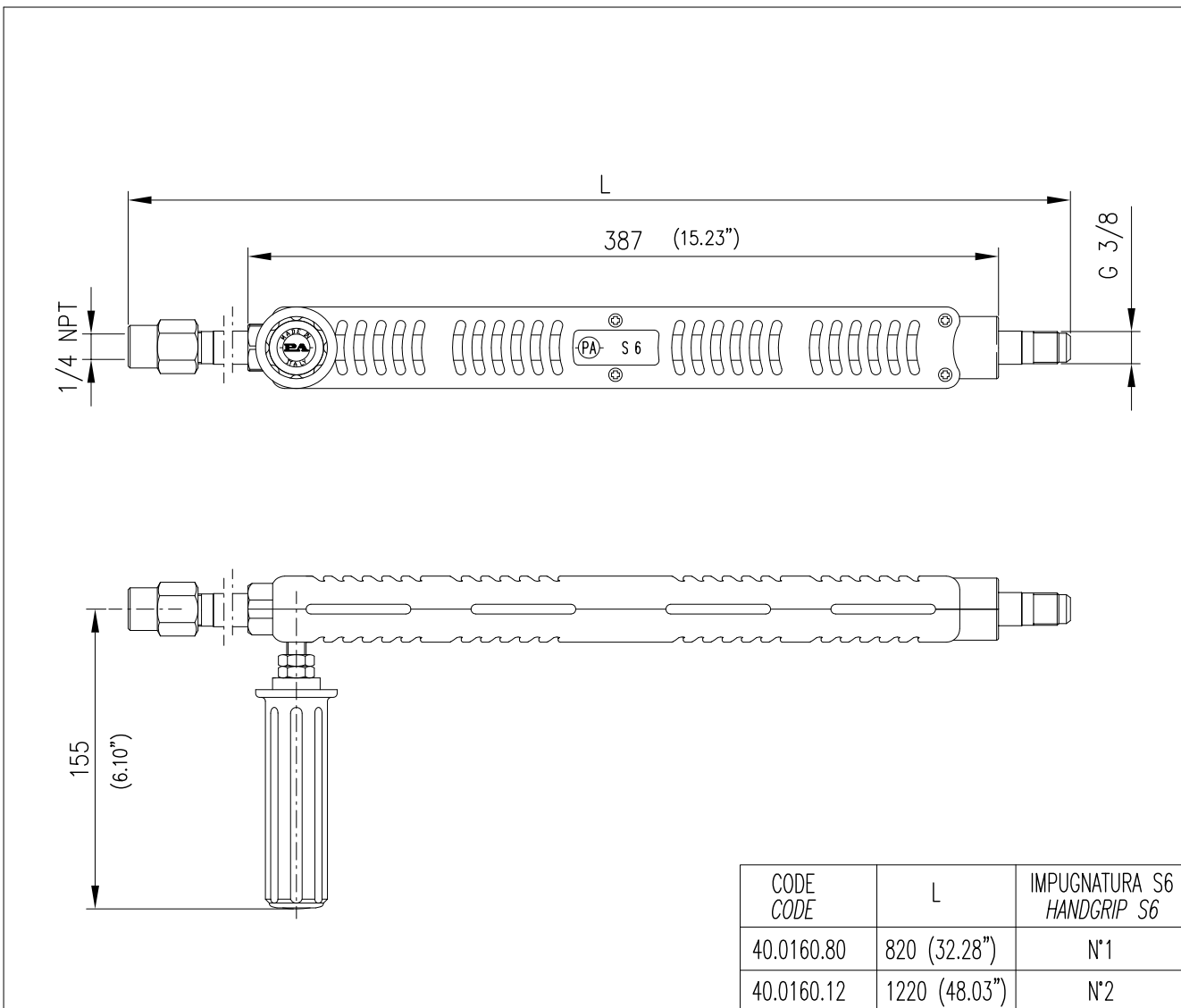
	EQUIPAGGIAMENTI TECNICI LAVAGGIO	40.0160.80/12 PROLUNGHE S6 PER RL600 RL600 EXTENSIONS S6	①	<div style="border: 2px solid black; padding: 2px; display: inline-block;">3</div>
			Ⓜ	



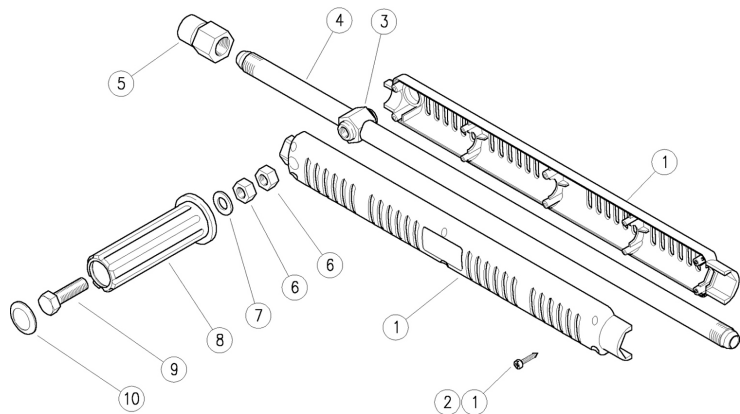
SPECIFICHE TECNICHE
SPECIFICATION

- PRESSIONE NOMINALE RATED PRESSURE	600 bar (8700 psi)
- PRESSIONE CONSENTITA PERMISSIBLE PRESSURE	660 bar (9500 psi)
- PORTATA MASSIMA MAX FLOW RATE	60 l/min (16 USG p.m.)
- TEMPERATURA MASSIMA MAX WORKING TEMPERATURE	100° C (210 °F)

MISURE D'INGOMBRO
OVERALL DIMENSIONS



40.0160.80 S6 lan.-RL600 sst 800mm+grip



Pos.	P/N	Description	Q.ty	K1	K2	K3	K4	
1	40.0161.24	Casing-kit -S6 +screws, Sst.	1					1
2	16.3075.51R	S/tapping scr. 3,5x18 mm sst.	6					10
3	30.5885.31R	Tube fastener, brass	1					10
4	30.5884.569	Tube, 3/8Bsp MM 800mm Sst.	1					1
5	30.5883.51R	Nozzle holder, 3/8F Bsp-1/4F Npt Sst.	1					5
6	11.4627.00R	Hex. nut, M10	2					10
7	14.3799.00R	Washer, 10x21x2 mm	1					10
8	41.0409.84R	Knob, 32x115 mm PP black	1					10
9	16.2030.00R	Screw, DIN933 M10x30 mm z.pl.	1					10
10	41.0411.84R	Plug, Knob PP black	1					10