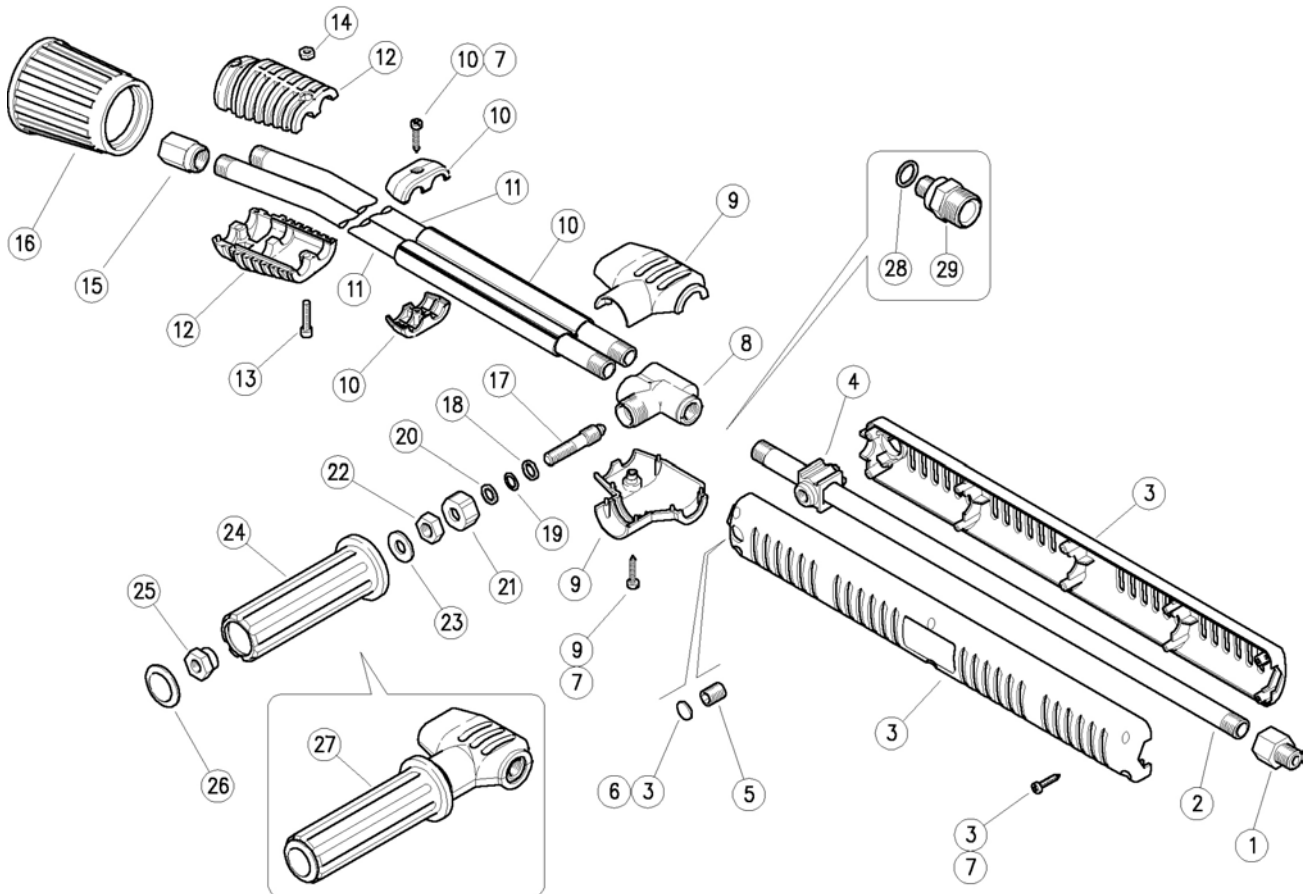


41.0800.00 LD9+S3 doubl.lan.1090mm 1/4z.pl+nzl/hold  
 41.0900.00 LD9+S3 doubl.lan.1090mm 1/4sst+nzl/hold

41.0921.00 Extn.LD9 AR5 A 700mm 1/4sst+nzl/hold



Pos.	P/N	Description	Q.ty	K1	K2	K3	K4
1	40.5008.31R	Reduct,brass 1/4M Bsp/1/4F Bsp	1				10
2	40.0314.56R	Tube, 1/4Bsp MM 377mm Sst.	1				10
3	40.0308.24	Casing-kit -S3, black+screws+Lance Plug	1				1
4	40.0304.84R	Tube fastener, plast.	1				25
5	16.2230.00R	Set screw, DIN916 M10x8 mm z.pl.	1				10
6	40.0303.84R	Lance Plug, PA black	1				25
7	16.3077.00R	S/tapping screw, DIN7981 3,5x18 mm	8				10
8	41.0401.35R	Valve housing -LD, 1/4FFF Bsp brass	1				5
9	41.0424.24	Casing-kit -LD9-1/4" +screws	1				1
10	41.0820.24	Clamp kit -LD9+tube prot. 1/4"+screw	1				1
11	40.7711.56R	Tube,Sst. 700mm straight. 1/4MM Bsp	2				50
11	40.5702.66R	Tube, z.pl. 700mm straight 1/4MM Bsp (1)	2				25
12	41.0416.84R	Semi-shell, 1/4" PA black	2				10
13	16.1855.00R	Screw, DIN912 M4x20 mm z.pl.	2				10
14	11.4513.05R	Hex. nut M4	2				10

Pos.	P/N	Description	Q.ty	K1	K2	K3	K4
15	40.0007.61R	Nozzle holder, 1/4F Bsp-1/4F Npt z.pl.	2				10
16	41.0418.81R	Nozzle protection -LD, TPEs black	1				10
17	41.0406.51R	Shutter, LD Sst.	1				5
18	14.3643.00R	Washer, 8,2x12x1,5 mm Cu	1				10
19	10.3170.00R	O-ring, 2,62x7,6 mm	1				10
20	10.4020.00R	Back-up ring, 8x12,6x1,2 mm	1				10
21	41.0408.31R	Ring nut, M18x1,5 brass	1				5
22	11.4574.00R	Hex. nut, M8	1				10
23	14.3572.00R	Washer, 8,4x21x1,5 mm	1				10
24	41.0409.84R	Knob, 32x115 mm PP black	1				10
25	41.0410.31R	Special nut, M8 brass	1				5
26	41.0411.84R	Plug, Knob PP black	1				10
27	41.0906.24	Valve-Kit -LD9-1/4" Bsp, complete	1				3
28	14.3913.17R	Washer, 13x17x1,5 mm alu. (2)	1				10
29	26.1020.31R	AR5 A M22 screw-type npl.1/4M Bsp (2)	1				25

Kit	P/N	Description	Q.ty
K1	41.0420.24	Repair kit -LD9, 3x10pcs.	1
K2	41.0419.24	Repair kit -LD9, 3x1pcs.	1
K3	41.0422.24	Spares kit -LD9-1/4" trailing+screws	1
K4	41.0423.24	Spares kit -LD9 - complete grip	1

(1) 41.0800.00 (2) 41.0921.00