

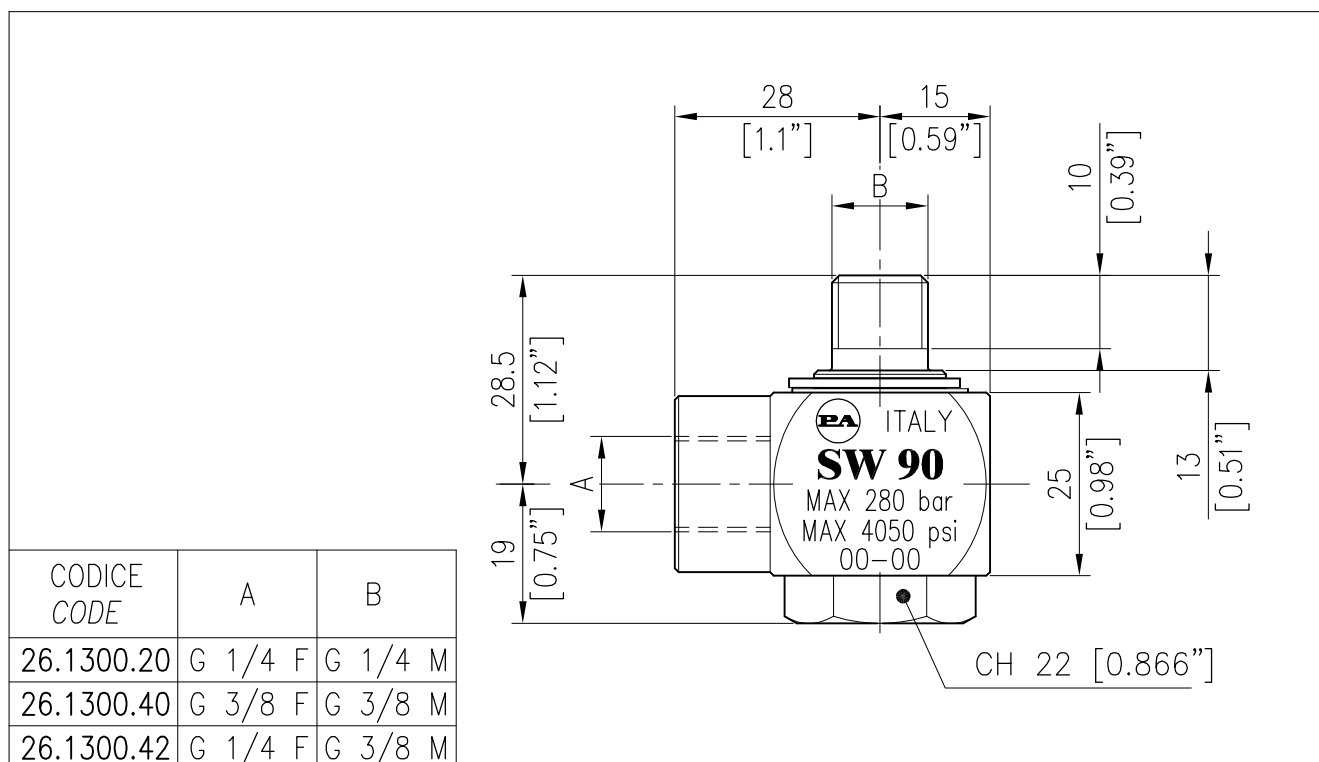
	<b>E</b> QUIPAGGIAMENTI <b>T</b> ECNICI <b>L</b> AVAGGIO	<b>RACCORDO GIREVOLE A 90° SW90</b> <b>90 DEG. SWIVEL SW90</b>		<b>5</b>
			02/07/09	



**CARATTERISTICHE TECNICHE**  
**SPECIFICATIONS**

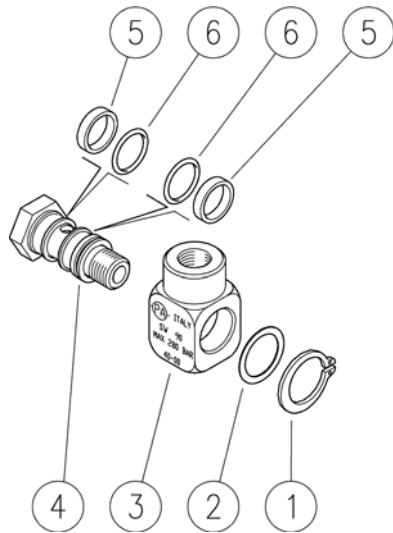
- PRESSIONE NOMINALE RATED PRESSURE	250 bar – 25 MPa (3650 psi)
- PRESSIONE CONSENTITA PERMISSIBLE PRESSURE	280 bar – 28 MPa (4050 psi)
- PORTATA MASSIMA MAX FLOW RATE	40 l/min (10.5 USG p.m.)
- TEMPERATURA MASSIMA DI LAVORO (UTILIZZO CONTINUO) MAX WORKING TEMPERATURE (CONTINUOUS USE)	90° C (194°F)
- TEMPERATURA MASSIMA AMMESSA (SOLO PER BREVI PERIODI) MAX PERMISSIBLE TEMPERATURE (FOR SHORT PERIODS ONLY)	160° C (320°F)
- NUMERO DEI GIRI MAX MAX RPM	30 giri/min (30 rpm)
- COPPIA ALLA PRESSIONE NOMINALE TORQUE AT RATED PRESSURE	~ 1.5 Nm (13.3 Lbs.in)
- MATERIALE MATERIAL	PERNO IN ACCIAIO INOX E CORPO IN OTTONE NICKELATO STAINLESS STEEL PIN AND NICKEL PLATED BRASS BODY
- GUARNIZIONI SEALS	OR IN FKM (VITON) O-RING SEALS IN FKM (VITON)

**MISURE D'INGOMBRO**  
**OVERALL DIMENSIONS**



**26.1300.20 SW90 Giunto gir. 90° inox G1/4 MF**

**26.1300.40 SW90 Giunto gir. 90° inox G3/8 MF**



**26.1300.42 SW90 Giunto gir. 90° inox G3/8M-G1/4F**

**26.1350.20 SW90-E Giunto gir. 90° vite in. G1/4 MF-Epdm**

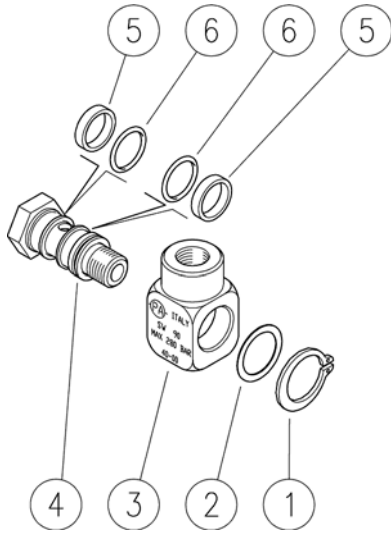
Pos.	Codice	Descrizione	Q.tà	K1	K2	K3	K4	
1	10.1003.00	An. elast. E 18 inox	1					5
2	14.4048.00	Rosetta 18,3x24x0,5 mm inox	1	•	•			10
3	26.1301.31	Corpo SW90 G1/4F (1,2,3)	1					5
3	26.1303.31	Corpo SW90 G3/8F (4)	1					3
4	26.1302.51	Vite forata G1/4 M inox (1)	1					3
4	26.1304.51	Vite forata G3/8M inox (4)	1					3
4	26.1304.51	Vite forata G3/8M inox (2)	1					3
5	10.4083.00	An. anties. a. 14,7x18x,4 mm	2	•	•			10
6	10.3091.10	An.OR 2x14 mm Vi 70	2	•				10
6	10.3091.18	An. or 2 x 14 mm Epdm (3)	2	•				10

Kit	Codice	Descrizione	
K1	26.1305.24	Kit ric. Sw90 3x1pz.	1
K2	26.1353.24	Kit ric.SW90 E(pdm) G1/4 pz.3 x 1	1

(1) 26.1300.20 (2) 26.1300.42 (3) 26.1350.20 (4) 26.1300.40

26.1300.20 SW90 Swivel 90°, sst, 1/4 MF Bsp

26.1300.40 SW90 Swivel 90°, sst, 3/8 MF Bsp



26.1300.42 SW90 Swivel 90°, sst, 1/4F-3/8M Bsp

26.1350.20 SW90-E Swivel 90°, sst sc.1/4Bsp MF Epdm

Pos.	P/N	Description	Q.ty	K1	K2	K3	K4
1	10.1003.00	Snap ring, E 18 Sst.	1				5
2	14.4048.00	Washer, 18,3x24x0,5 mm Sst.	1	•	•		10
3	26.1301.31	Housing -SW90, 1/4F Bsp (1,2,3)	1				5
3	26.1303.31	Housing -SW90, 3/8F Bsp (4)	1				3
4	26.1302.51	Pierced screw, 1/4M Bsp Sst. (1)	1				3
4	26.1304.51	Pierced screw, 3/8M Bsp Sst. (4)	1				3
4	26.1304.51	Pierced screw, 3/8M Bsp Sst. (2)	1				3
5	10.4083.00	Back-up ring, opn. 14,7x18x,4 mm	2	•	•		10
6	10.3091.10	O-ring, 2x14 mm Vi 70	2	•			10
6	10.3091.18	O-Ring 2 x 14 mm Epdm (3)	2	•			10

Kit	P/N	Description	Q.ty
K1	26.1305.24	Spares kit -Sw90, 3x1pcs.	1
K2	26.1353.24	Spares kit -Sw90E- 1/4-. 3x1pcs.	1

(1) 26.1300.20 (2) 26.1300.42 (3) 26.1350.20 (4) 26.1300.40

## **P.A. SpA EQUIPAGGIAMENTI TECNICI DEL LAVAGGIO**

Via Milano, 13 42048 Rubiera - (RE) ITALY  
Tel +39 0522 623611 (ric aut) - Fax +39 0522 629600  
*Info@pa-etl.it - www.pa-etl.it*

---

**COMPANY WITH  
QUALITY SYSTEM  
CERTIFIED BY DNV GL  
= ISO 9001 =**