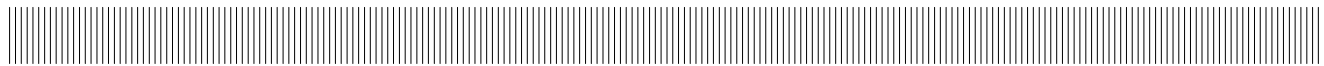


	EQUIPAGGIAMENTI TECNICI LAVAGGIO	ATTACCO RAPIDO A SFERA 250 BAR BALL QUICK COUPLING 250 BAR ARS 250		<div style="border: 2px solid black; padding: 2px; display: inline-block; font-weight: bold;">5</div>
				

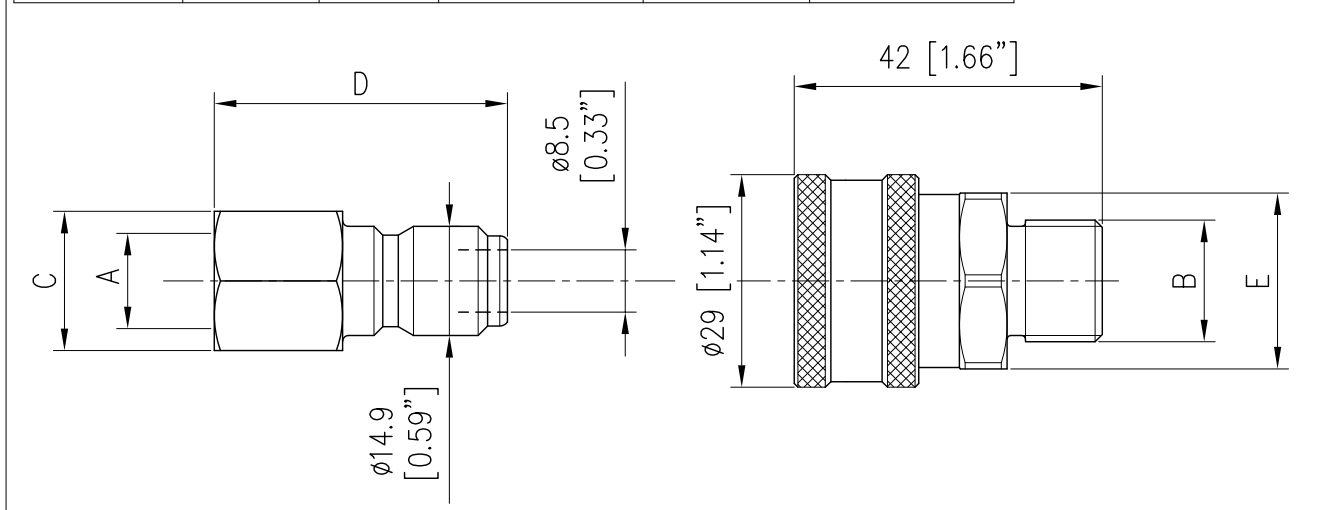


SPECIFICHE TECNICHE
SPECIFICATIONS

- PRESSIONE NOMINALE RATED PRESSURE	250 bar – 25 MPa (3650 psi)
- PRESSIONE CONSENTITA PERMISSIBLE PRESSURE	280 bar – 28 MPa (4050 psi)
- PORTATA MASSIMA MAX FLOW RATE	30 l/min (8 USG p.m.)
- TEMPERATURA MASSIMA MAX WORKING TEMPERATURE	90° C (195 °F)
PERNO IN ACCIAIO NICHELATO E CORPO IN OTTONE NICHELATO CON GUARNIZIONI OR IN NBR PIN IN NICKEL PLATED STEEL AND BODY IN NICKEL PLATED BRASS WITH NBR O RINGS	

MISURE D'INGOMBRO
OVERALL DIMENSIONS

CODICE CODE	A	B	C	D	E
26.2010.00		G3/8 M			ES.24 [0.94"]
26.2010.10		G3/8 F			ES.24 [0.94"]
26.2010.20		G1/4 F			ES.24 [0.94"]
26.2010.30		G1/2 F			ES.27 [1.06"]
26.2010.40		G1/2 M			ES.24 [0.94"]
26.2015.61	G3/8 F		ES.22 [0.87"]	40 [1.57"]	
26.2016.61	G1/4 F		ES.19 [0.75"]	40 [1.57"]	
26.2023.61	G3/8 M		ES.19 [0.75"]	42 [1.65"]	
26.2024.61	G1/2 M			42 [1.65"]	



26.2010.00 ARS250 B att.rapido a sfera G3/8M
 26.2010.10 ARS250 B att.rapido a sfera G3/8F
 26.2010.20 ARS250 B att.rapido a sfera G1/4F
 26.2010.30 ARS250 B att.rapido a sfera G1/2F
 26.2010.40 ARS250 B att.rapido a sfera G1/2M



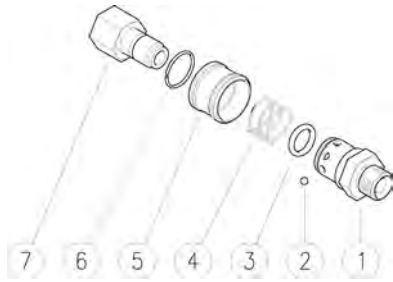
26.2015.61 ARS250 A nipplo a sfera G3/8 F
 26.2016.61 ARS250 A nipplo a sfera G1/4 F
 26.2023.61 ARS250 A nipplo a sfera G3/8 M
 26.2024.61 ARS250 A nipplo a sfera G1/2 M

Pos.	Codice	Descrizione	Q.tà	K1	K2	K3	K4	
1	26.2022.31	Corpo ARS250 G1/4F (1)	1					5
1	26.2011.31	Corpo ARS250 G3/8M (2)	1					5
1	26.2021.31	Corpo ARS250 G3/8F (3)	1					5
1	26.2026.31	Corpo ARS250 G1/2M (4)	1					5
1	26.2025.31	Corpo ARS250 G1/2F (5)	1					5
2	14.7405.00	Sfera 5/32" inox	8	•				10
3	10.3177.00	An.OR 2,62x12,37 mm	1	•				10
4	26.2012.51	Molla 1,3x22x13mm inox	1	•				10
5	26.2013.31	Ghiera ARS250	1	•				5
6	26.2014.51	An. elast. 1,2x19 mm inox	1					10
7	26.2015.61	ARS250 A nipplo a sfera G3/8 F	1					25
7	26.2016.61	ARS250 A nipplo a sfera G1/4 F	1					25
7	26.2023.61	ARS250 A nipplo a sfera G3/8 M	1					25
7	26.2024.61	ARS250 A nipplo a sfera G1/2 M	1					25

Kit	Codice	Descrizione	
K1	26.2017.24	Kit ric. ARS250 4x10pz.	1


(1) 26.2010.20 (2) 26.2010.00 (3) 26.2010.10 (4) 26.2010.40 (5) 26.2010.30

- 26.2010.00 ARS250 B ball-type coupler 3/8M Bsp
- 26.2010.10 ARS250 B ball-type coupler 3/8F Bsp
- 26.2010.20 ARS250 B ball-type coupler 1/4F Bsp
- 26.2010.30 ARS250 B ball-type coupler 1/2F Bsp
- 26.2010.40 ARS250 B ball-type coupler 1/2M Bsp



- 26.2015.61 ARS250 A ball-type nipple 3/8F Bsp
- 26.2016.61 ARS250 A ball-type nipple 1/4F Bsp
- 26.2023.61 ARS250 A ball-type nipple 3/8M Bsp
- 26.2024.61 ARS250 A ball-type nipple 1/2M Bsp

Pos.	P/N	Description	Q.ty	K1	K2	K3	K4	
1	26.2022.31	Housing -ARS250, 1/4F Bsp (1)	1					5
1	26.2011.31	Housing -ARS250, 3/8M Bsp (2)	1					5
1	26.2021.31	Housing -ARS250, 3/8F Bsp (3)	1					5
1	26.2026.31	Housing -ARS250, 1/2M Bsp (4)	1					5
1	26.2025.31	Housing -ARS250, 1/2F Bsp (5)	1					5
2	14.7405.00	Ball, 5/32" Sst.	8	•				10
3	10.3177.00	O-ring, 2,62x12,37 mm	1	•				10
4	26.2012.51	Spring, 1,3x22x13mm Sst.	1	•				10
5	26.2013.31	Ring nut, ARS250	1	•				5
6	26.2014.51	Snap ring, 1,2x19 mm Sst.	1					10
7	26.2015.61	ARS250 A ball-type nipple 3/8F Bsp	1					25
7	26.2016.61	ARS250 A ball-type nipple 1/4F Bsp	1					25
7	26.2023.61	ARS250 A ball-type nipple 3/8M Bsp	1					25
7	26.2024.61	ARS250 A ball-type nipple 1/2M Bsp	1					25

Kit	P/N	Description	
K1	26.2017.24	Spares kit -ARS250, 4x10pcs.	1

(1) 26.2010.20 (2) 26.2010.00 (3) 26.2010.10 (4) 26.2010.40 (5) 26.2010.30

P.A. SpA EQUIPAGGIAMENTI TECNICI DEL LAVAGGIO

Via Milano, 13 42048 Rubiera - (RE) ITALY
Tel +39 0522 623611 (ric aut) - Fax +39 0522 629600
Info@pa-etl.it - www.pa-etl.it

**COMPANY WITH
QUALITY SYSTEM
CERTIFIED BY DNV GL
= ISO 9001 =**