


P.A. – S.p.A. – EQUIPAGGIAMENTI TECNICI DEL LAVAGGIO

VIA MILANO, 13 – CASELLA POSTALE 115 – 42048 RUBIERA (REGGIO EMILIA) – ITALY
 Tel. +39 0522 623611 – Fax. +39 0522 629600 – R.E.A. RE 156319 – R.I. RE11535 – Mecc. RE 013446
 C.F. e P. IVA 01035950359 – Cap. Soc. i.v. € 750.000,00 – Codice Identificativo C.E.E. IT 01035950359
 ART. 2497 – BIS C.C. DIREZIONE E COORDINAMENTO BENETTI srl R.I. TRIB. DI RE 01480690351
 Web: <http://www.pa-etl.it> – E-mail: info@pa-etl.it



PULSAR ZERO – Flow sensitive Unloader valve

Technical manual: E 267

Pressure regulating valve unloader type with zero setting on delivery line: at gun closure the water flow is bypassed at low pressure maintaining also the delivery line in low pressure.

DN 10

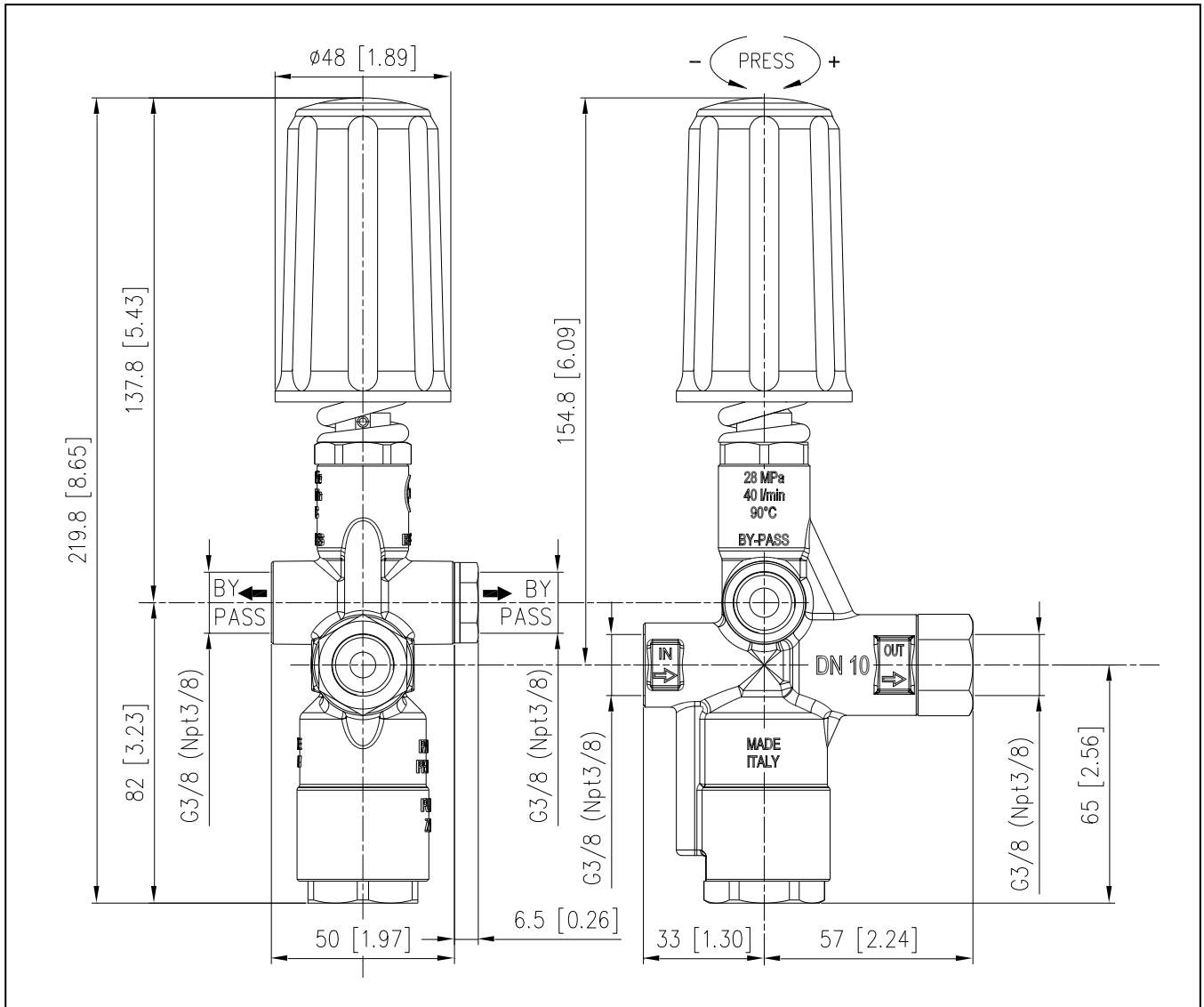

- **60.2400.00** Pulsar Zero G 3/8" FF
 - **60.2400.50** Pulsar Zero Npt 3/8" FF
 - **60.2435.00** Pulsar Zero G 3/8" FF
- Near total zero setting of the pressure in the delivery line at gun closure.
Advantages:
 - Increased safety for the operator.
 - Delivery hose easy to control when gun is closed.
 - Less force needed to reopen the gun.
 - At gun reopening, work pressure is reached gradually.
Advantages:
 - Operators work less heavy.
 - Easy starting if thermal engine is used.
 - One sole version from 9 up to 40 l/min.
 - Reduced pressure loss and hardly dependent on flow rate.
 - Great reliability.
 - Easy maintenance.

Construction material: brass body and internal parts in Sst.

PART NUMBER	MINIMUM FLOW		MAXIMUM FLOW		PERMISSIBLE PRESSURE		ADJUSTABLE MINIMUM PRESSURE		RATED TEMPERATURE (1)		WEIGHT		INLET OUTLET BYPASS
	l / min	USG	l / min	USG	bar	MPa	bar	MPa	°C	°F	g	oz	
60.2400.00	9	2.3	40	10.5	280	28	40	4	60	140	1135	40	G 3/8" F
60.2400.50	9	2.3	40	10.5	280	28	40	4	60	140	1135	40	Npt 3/8" F
60.2435.00	9	2.3	40	10.5	350	35	40	4	60	140	1135	40	G 3/8" F

- 1) The valve has been designed for a continuous use at a water temperature of **60°C (140°F)**. It can function for short periods at a maximum temperature of **90°C (195°F)**.

DIMENSIONAL DRAWING



SELECTION

This product is intended to be incorporated on a finished machine. This product is to be utilized with clean fresh water, even slightly additivated with normal detergents. For use involving different or corrosive liquids, contact the PA Technical department. Appropriate filtration should be installed when using unpure liquids. Choose the valve in line with the working data of the machine where to be installed (permissible pressure, maximum flow and rated temperature of the system). In any case, the pressure of the machine must not exceed the **permissible pressure** imprinted on the valve.

Attention. The Pulsar Zero valve is sensitive to water flow : at gun opening (water flow through the valve) the system goes into pressure, at gun closure (flow interruption) the system works at low pressure. For this reason the Pulsar zero valve cannot be installed on systems that fit antifreeze guns always weeping. Instead it can be installed on systems with antifreeze guns weeping at low pressure. In this case it is necessary to create in the bypass line a pressure higher than the pressure at which the gun becomes weeping.

OPERATIONS

The valve regulates the maximum pressure of the system by variating the flow discharged by the bypass. The adjustment is made by altering, by means of a piston, the position of a sphere which closes partially the bypass opening.

The valve is sensitive to water flow. At gun opening, the water flows through the valve which maintains the system in pressure until the gun closure, the interruption of the flow provokes the complete aperture of the bypass which allows to discharge the flow at low pressure. At gun closure, the special mechanism of zero setting patented by PA, which does not includes a check valve, keeps in connection the delivery line and the bypass line, in that way permitting to lower the pressure all around the system and not only in the source line of the valve.

INSTALLATION

This accessory, on a system that produces hot water, must be fitted upstream the heat generator. On a system that generates hot water, it is advisable to fit in accessories that limit the accidental increase of fluid temperature.

Always install a safety valve.

We recommend the use of a nozzle with flow rate which allows a regular discharge from the valve bypass of at least 5% of the flow supplied by the pump, in order to achieve a constant pressure value and easy adjustment.

If the nozzle wears out, the pressure decreases. To reset pressure back at work level, it is necessary to replace the worn nozzle. When a new nozzle is fitted, re-setting of the system to its original working pressure is required.

DISCHARGE SYSTEM AND WATER ADDUCTION

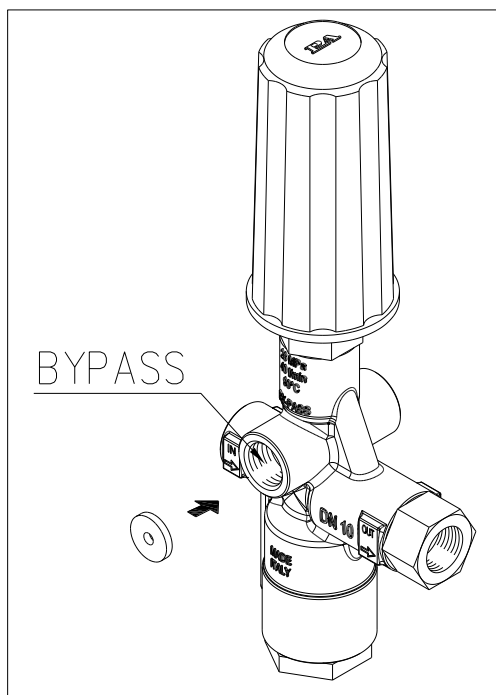
The valve can be fitted on machines fed directly by the water system with bypass recycle to the pump or on machines fed by a tank where the bypass flow is also discharged.

In certain conditions, depending on installation and in particular:

- o through feeding from tank,
- o with long delivery lines or strong difference in level,
- o with low flow and small flow factor nozzles,

it could occur that at gun opening, a delay in the reset of the working pressure is revealed or a pulsation of the valve. To avoid such inconveniences, it is necessary to guarantee always a pressure of at least 3-5 bar in the bypass line. This pressure can be obtained by throttling the bypass line in one of the following ways:

- o fitting in the bypass channel a 1/4" hose instead of 3/8"
- o fitting in the bypass channel a rigid tube of a sufficiently small diameter.
- o inserting in the bypass channel a connector with an adequate orifice diameter
- o inserting in the bypass connection (Picture 1) a washer with an adequate orifice diameter (available on request; see chart)



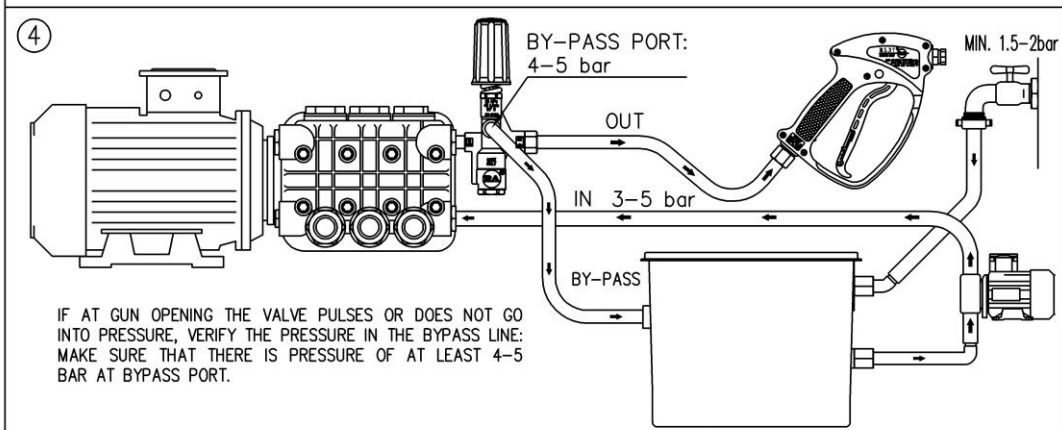
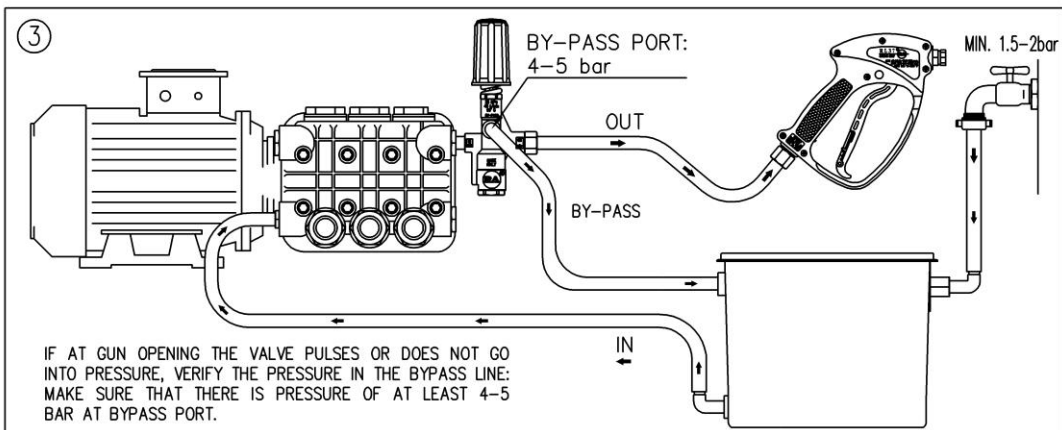
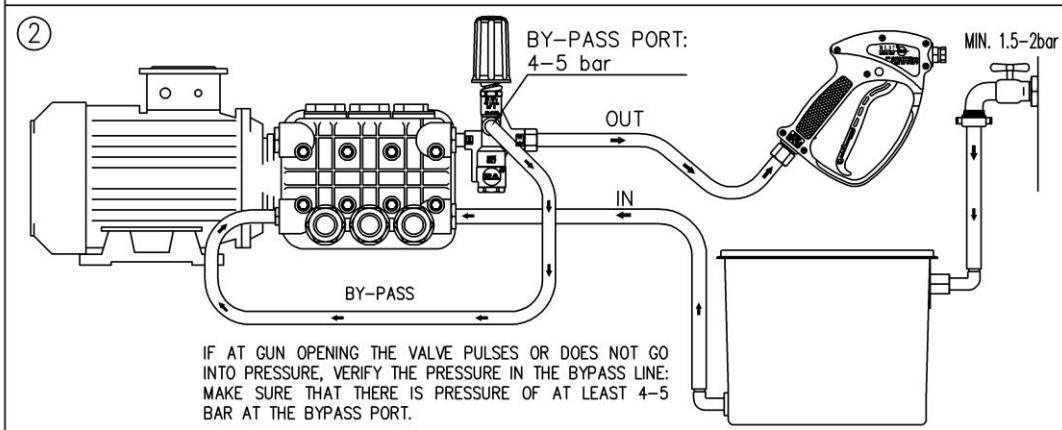
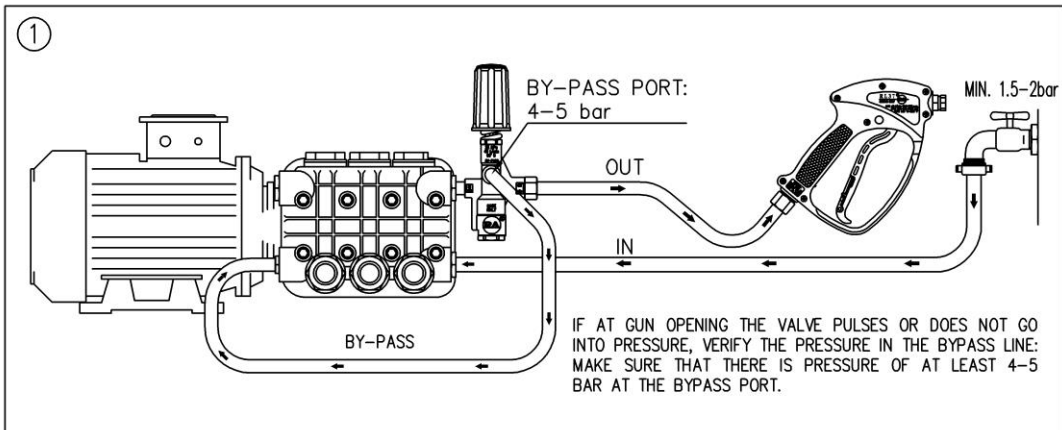
Picture 1

Available washers on request			
Flow (l/min)	Ø orifice (mm)	Connector thread	code
9-15	3.5	Bsp	60.2423.31
9-15	3.5	Npt	60.2428.31
15-30	4.5	Bsp	60.2424.31
15-30	4.5	Npt	60.2429.31

In the case of feeding from the tank where also the bypass flow is discharged, it would be convenient to fit in the feed line of the machine a low pressure pump that guarantees a feed pressure of 3-5 bar (See paragraph "EXAMPLES OF INSTALLATION" Picture 4). It is advisable that the tank be provided with deflectors to reduce eventual turbulence and air bubbles, generated by the intake of the bypass flow, which could be harmful for the pump.

In the case of direct pump recycle of the bypass flow and if bypass conditions are foreseen frequently or for a long time, it is advisable to fit a thermal protector valve (VT3 or VT6) in order to avoid dangerous overheating of recycled water.

EXAMPLES OF INSTALLATION



PRESSURE ADJUSTMENT/SETTING

The desired working pressure must be adjusted while the system in operation and the gun is opened. Adjust the pressure by screwing or unscrewing the adjustment knob. The operation is easier if the correct nozzle has been chosen (see paragraph "installation"). Pressure is increased by screwing the adjustment knob. In case pressure does not increase despite screwing of the knob, **do not force**, but check that the nozzle flow rate/pressure ratio is correct.

TROUBLE SHOOTING

PROBLEMS	PROBABLE CAUSE	REMEDY
At gun opening much time is required to reach working pressure	Delivery tube very long or big level difference between valve and gun Nozzle with very small flow factor (< 04) Pump feed from tank	Throttle bypass line
At gun opening the valve pulses	Delivery tube very long or big level difference between valve and gun Nozzle with very small flow factor (< 04) Pump feed from tank	Throttle bypass line
At gun closure the valve pulses (rearm)	Big leakage from the gun Leak from delivery line	Repair the gun to eliminate leakage Eliminate the leakage
At gun closure, the valve does not lower the pressure on the delivery line	Orifice of the shutter blocked (pos.4 on exploded view)	Clean and eliminate obstruction
Valve does not reach maximum pressure	Worn nozzle Seat damaged or worn Presence of matter between seat and shutter	Replace Replace Clean seat
Valve does not go into pressure	O-rings of Sst piston (pos. 21-24 e 27-28 of the exploded view) ruined	Replace

MAINTENANCE

STANDARD: every 400 working hours, check and lubricate the seals with water resistant grease.

SPECIAL: every 800 working hours, check the wear of the seals and internal parts and, if necessary, replace with original PA parts taking care, during installation, to lubricate with water resistant grease.

The maintenance must be carried out by specialized technicians.

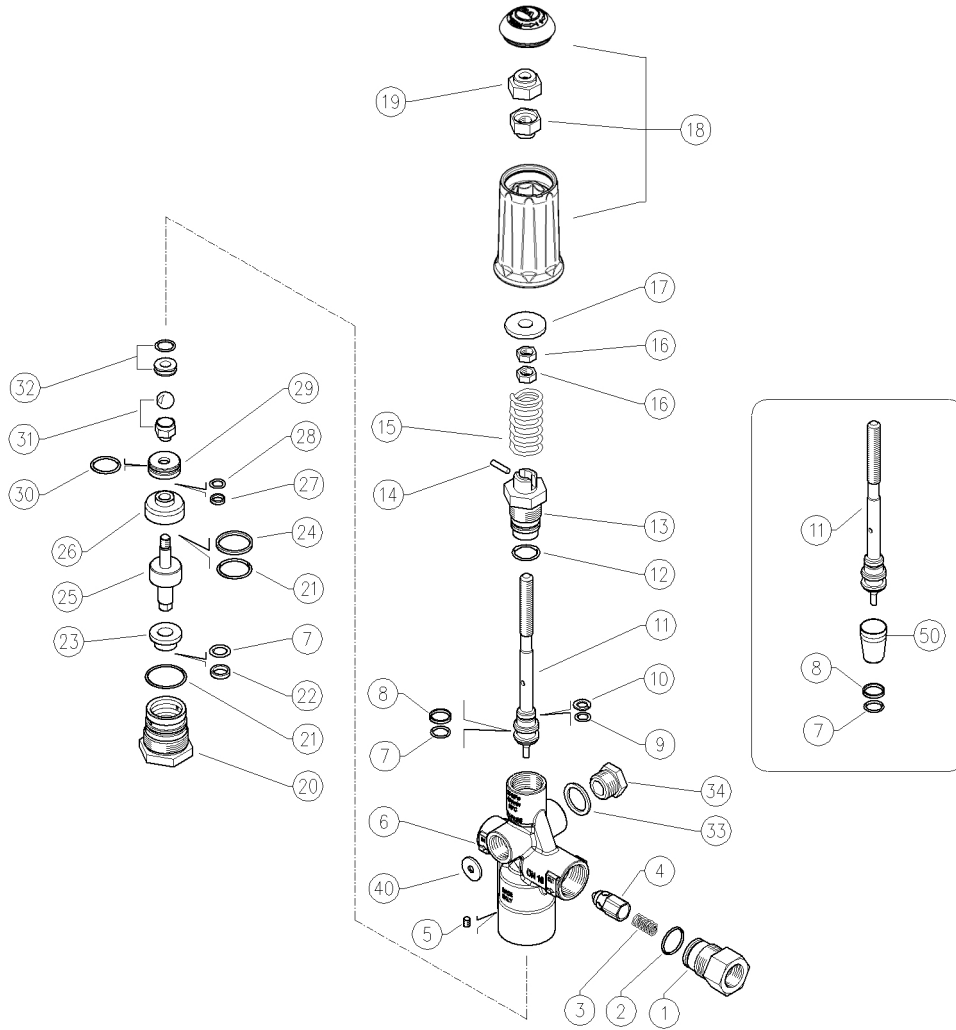
The manufacturer is not to be considered responsible for damage as a result from incorrect fitting and maintenance.

REGULATIONS

For a correct utilization, follow the directions as described in this manual and re-print them on the Use and maintenance of the machine. If needed, ask for the original Conformity Declaration for the accessory chosen. The present manual is valid for all unloader valves named **Pulsar Zero**.

Technical data, descriptions and illustrations are indicative and liable for modification without notice.

Instruction manual, maintenance, installation, spare parts. <u>For a correct utilization, follow the directions of this manual and re-print them on the Use and Maintenance booklet of the machine.</u>	n. 12.9267.50
---	---------------



Pos.	P/N	Description	Q.ty	K1	K2	K3	K4	Pos.	P/N	Description	Q.ty	K1	K2	K3	K4
1	60.1811.31R	Shutter coupl., 3/8F Bsp brass (1)	1				5	20	60.2404.31R	Lower plug, brass	1				3
1	60.2412.31R	Shutter coupl., 3/8F Npt brass (2)	1				3	21	10.3072.60R	O-ring, 1,78x21,95 mm Ni 85	2	•			10
2	10.3066.01R	O-ring, 1,78x15,6 mm Ni 85	1	•			10	22	10.4055.00R	Back-up ring, 9,2x11,2x2 mm	1	•			10
3	60.2401.51R	Sst spring, 1x7,5x20 mm	1				10	23	60.2410.31R	9,2 mm brass piston ring	1				3
4	60.2437.51R	Sst shutter 0,5 mm hole	1				5	24	10.4059.00R	Back-up ring, 20x22x2 mm	1	•			10
5	16.2105.08R	Set screw, DIN915 M5x8 mm Sst.	1				10	25	60.2407.51R	Sst pin	1				5
6	60.2405.35R	Housing -Puls.Zero, 3/8Bsp F brass (1)	1				3	26	60.2409.31R	7 mm brass piston ring	1				3
6	60.2411.35R	Housing -Puls.Zero, 3/8Npt F brass (2)	1				3	27	10.4007.92R	Back-up ring, 7x9x2 mm	1	•			10
7	10.3058.01R	O-ring, 1,78x10,82 mm	2	•			10	28	10.3056.00R	O-ring, 1,78x8,74 mm	1	•			10
8	10.4058.00R	Back-up ring, opn. 14x16x2 mm	1	•			10	29	60.2406.31R	Spacer ring	1				3
9	10.3055.01R	O ring 1,78 x 7,66 mm	1	•			10	30	10.3068.01R	O-ring, 1,78x17,17 mm Ni 85	1	•			10
10	10.4008.11R	Back-up ring, opn. 8,5x11,5x1,2 mm	1	•			10	31	60.1311.21R	Shutter pin, M6 brass+ball, 13/32" Sst.	1	•			10
11	60.2402.51R	Sst. valve piston	1				5	32	60.0259.20R	Seat, 8mm + O-ring, 1,78mm	1	•			10
12	10.3064.01R	O-ring, 1,78x14 mm Ni 85	1	•			10	33	14.4042.00R	Washer, 16,7x22x1,5 mm alu. (1)	1				25
13	60.2403.31R	Piston holder, brass	1				5	34	60.0028.31R	Plug,brass 3/8 Bsp,hex.19 (1)	1				25
14	15.1021.00R	Roll pin, 3x14 mm Sst.	1				10	34	60.0025.31R	Grub screw, brass 3/8M Npt (1)	1				10
15	60.0033.61R	Spring, 5,7x26x53 mm blue	1				5	40	60.2423.31R	Nozzle, 3,5 mm brass x Bsp (1) **	1				10
16	11.4573.31R	Hex. nut, M8, brass	2				10	40	60.2424.31R	Nozzle, 4,5 mm brass x Bsp (1) **	1				10
17	14.3720.40R	Washer, 9,2x24x0,5 mm	1				10	40	60.2428.31R	Nozzle, 3,5 mm brass x Npt (2) **	1				10
18	60.0148.24	Knob + Plug -PulsarRv	1				5	40	60.2429.31R	Nozzle, 4,5 mm brass x Npt (2) **	1				10
19	11.4589.10R	Hex. locknut, M8	1				10	50	10.4409.00R	Seal frame >Pulsar/zero **	1				1

** On request

Kit	P/N	Description	Q.ty
K1	60.2414.24	Spares kit -Puls.Zero, 14x1pcs.	1

(1) 60.2400.00 (2) 60.2400.50