

**P.A. – S.p.A. – EQUIPAGGIAMENTI TECNICI DEL LAVAGGIO**

VIA MILANO, 13 – CASELLA POSTALE 115 – 42048 RUBIERA (REGGIO EMILIA) – ITALY
 Tel. +39 0522 623611 – Fax. +39 0522 629600 – R.E.A. RE 156319 – R.I. RE11535 – Mecc. RE 013446
 C.F. e P. IVA 01035950359 – Cap. Soc. i.v. € 750,000,00 – Codice Identificativo C.E.E. IT 01035950359
 ART. 2497 – BIS C.C. DIREZIONE E COORDINAMENTO BENETTI srl R.I. TRIB. DI RE 01480690351
Web: <http://www.pa-etl.it> – **E-mail:** info@pa-etl.it



FL7 MS – Very sensitive flow switch



Technical manual: E 801

Electro-mechanical device in which the fluid passage moves a magnetized piston that closes an electric circuit.

DN 10



- **28.0430.00** G3/8 FF 350 bar – 35 MPa - BLACK
 - Reduced operating flow rate
 - Suitable for installation with **flow sensitive unloader valves**
 - Magnetic drive obtained by the plunging piston movement
 - Electrical insulation: class **IP55**
 - Magnetic probe casing made of ant flame material.

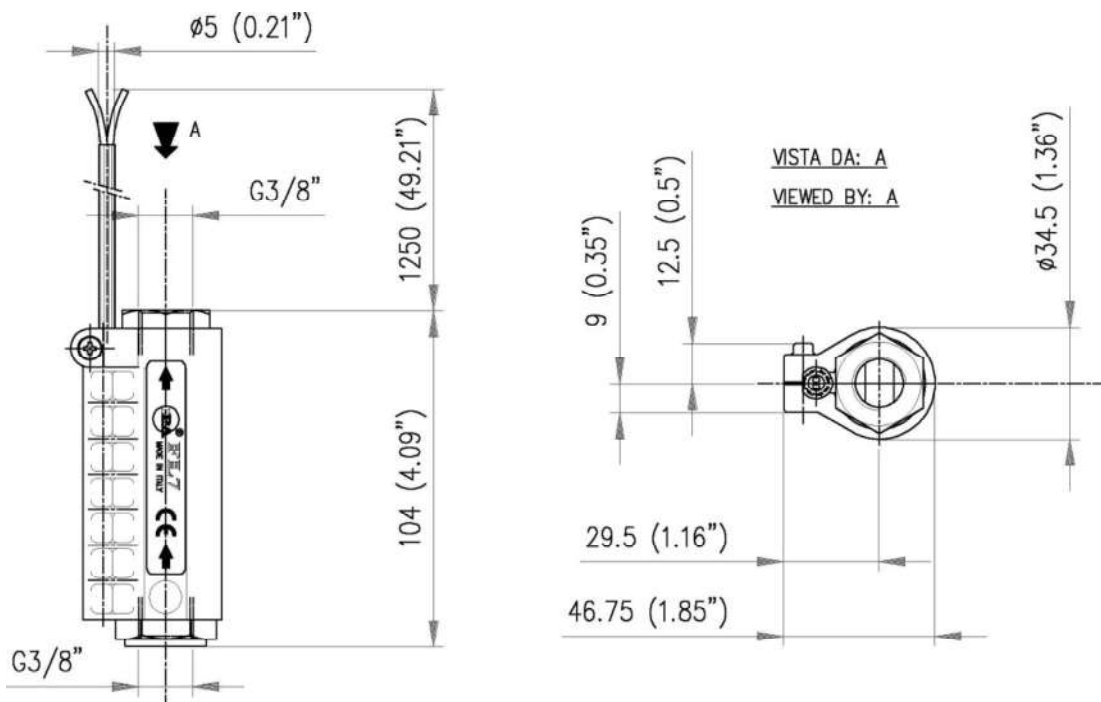
TECHNICAL SPECIFICATIONS

Rated voltage: 12 ÷ 230 V AC/DC **Max. commutable power:** 60VA
Cable length: 1250 mm **Electric wire:** 2 x 0,50mm²
Max. current: 3 A **Type of action:** 1C

Electrical component life: from 100.000 to 1.000.000 commutations at max power
Pollution situation of the device control: High

PART NUMBER	PERMISSIBLE PRESSURE		MAX FLOW RATE IN PUMP DELIVERY		MAX FLOW RATE IN PUMP INTAKE		MIN FLOW RATE VERTICAL INTERVENTION		MAX WORK TEMPERATURE		WEIGHT		INLET OUTLET
	bar	psi	l/min	USG	l/min	USG	l/min	USG	°C	°F	g	lbs	
28.0430.00	390	5650	60	16	30	8	0,3	0,1	75	165	430	0.9	G 3/8" F

DIMENSIONAL DRAWING



SELECTION

This product is to be utilized with clean fresh water, even slightly additivated with normal detergents. For use involving different or corrosive liquids, contact the PA Technical department.
 Choose the flow switch in line with the work data of the system (max pressure, max flow and max temperature of the system) . In any case, the pressure of the machine must not exceed the **permissible pressure** imprinted on the flow switch.
 Verify also the real value of voltage and current of the system: they have to be kept within the indicated max value.

FUNCTION

The flow switch detects the presence of water flow on the inside of the system by means of a piston which is shifted by the water itself. When the piston is moved by the water flow, the magnets contained internally, stimulate a reed switch that closes the electric circuit.

INSTALLATION

This accessory can be installed **only vertically**. The water flow has to be directed as per the direction of the arrows inscribed on the plastic casing of the flow switch.

Connection to the Hydraulic system.

Use correct fittings in line with the system performance. Avoid restrictions on the passage diameters that may cause malfunctions. This accessory, on a machine that produces hot water, must be fitted upstream of the heat generator.

Connection to the Electric circuit.

For the connection of the electric circuit, see **fig. 1**
 Electrical installation is to be carried out by qualified personnel.
 This product must be fitted on an earthed hydraulic system.

<p>N.A.</p> <p>fig 1</p>	<p>$I = (A=Amperes) \quad V = (V=Volt)$</p> <p>CARICO INDUTTIVO INDUCTIVE LOAD $C = I^2 / 10 (\mu F)$ $R = V / (10 \times I^2) (\Omega)$ $\alpha = 1 + (50 / V)$</p> <p>CARICO RESISTIVO RESISTOR LOAD $R = V / I (\Omega)$</p> <p>fig 2</p>	<p>ESEMPIO CARICO INDUTTIVO DATI DI FUNZIONAMENTO 230V-0,5A ES. INDUCTIVE LOAD WORKING DATA 230V-0,5A</p> <p>$C = I^2 / 10 (\mu F) = 0,5^2 / 10 = 0,025 \mu F$ $\alpha = 1 + (50 / V) = 1 + (50 / 230) = 1,2$ $R = V / (10 \times I^2) (\Omega) = 230 / (10 \times 0,5^{1,2}) = 53 \Omega$</p> <p>ESEMPIO CARICO RESISTIVO DATI DI FUNZIONAMENTO 230V-0,5A ES. RESISTOR LOAD WORKING DATA 230V-0,5A</p> <p>$R = V / I (\Omega) = 230 / 0,5 = 460 \Omega$</p>
---------------------------------	---	--

ELECTRICAL LIFETIME OF THE CONTACT

The electric circuit, contained in the probe, consists of a reed switch that can function up to 1 million operations. Current or Voltage in excess, superior to the allowed limits, damage considerably the contacts reducing the electric lifetime (pitting; sticking). To prevent these phenomena, it is necessary to evacuate with attention the transient situations in which the take off current might be 10/12 times the normal current. Even the interruption of inductive loads can make the circuit reach high voltage readings in the order of thousands of volts. Therefore, take care in these situations of overload and excess voltage which are created during starting with the circuit closure (start current) and, at closure, with the circuit aperture (detached tension).

In order to prevent these distortions it is necessary to install adequate protections for the system. There are many circuits to choose from and one of the most common with effective remedy is seen on **fig.2**.

In order to prevent malfunctions, the flow switch must not be set near heat or magnetic sources. Do not store or handle on full metal structures nor test the magnetic strength of the piston on magnetic material. It is advisable to properly clean the system before operation in order to expel possible residual metal in case found in the tubes. The electric probe is stamped at the end of the exit cable, indicating the setting in relation to the brass body and allows a correct assembly of the "reed" bulb. In case of intervention or repair, follow this indication: incorrect positioning could damage the probe.

PROBLEMS AND SOLUTIONS

PROBLEMS	PROBABLE CAUSES	SOLUTIONS
The piston does not move	<ul style="list-style-type: none"> - Insufficient flow - Incorrect flow direction - Piston jammed by scale and debris 	<ul style="list-style-type: none"> - Check and eliminate eventual leaks in the line - Reassemble and respect the correct flow direction - Clean or replace
No electric signal	<ul style="list-style-type: none"> - Damaged electric contacts or "reed" switch - Electric connection incorrect or disconnected - Un-phased probe or displaced 	<ul style="list-style-type: none"> - Replace electric probe; install protective circuit if absent - Renew - Renew in correct position

MAINTENANCE

Every 400 working hours or 10,000 cycles, check the magnetic pin (pos. 5 in exploded view) and clean. Use only original PA spares, in order to benefit for a correct function and long reliability.

Maintenance has to be carried out by specialized technicians.

The Manufacturer is not to be considered responsible for damage as a result from incorrect fitting and maintenance.

REGULATIONS

The accessory hereby described bears the CE marking in accordance with the Norms and Directives applied on the **Declaration of Conformity**.

For a correct utilization, follow the directions described in this manual and re-print them on the Use and maintenance manual of the machine.

Make sure that you are given the original Conformity Declaration for the accessory chosen. The present manual is valid for all Flow switches named **FL7 MS**

Technical data, descriptions and illustrations are indicative and liable to modification without notice.

Instruction manual, maintenance, installation, spare parts. For a correct utilization follow the directions of this manual. <u>Re-print them on the use and maintenance booklet of the machine.</u>	n. 12.9801.50

	EQUIPAGGIAMENTI TECNICI LAVAGGIO	FLUSSOSTATO <i>FLOW SWITCH</i> 28.04XX.XX	STROMMESSER <i>FLUSSOSTAT</i> 28.05XX.XX	I GB	10/11/10 	D F
				10.9110.00		

FLUSSOSTATO Codice 28.04XX.XX-28.05XX.XX

Attenzione !!!!!

Il flussostato PA è composto da un'ampolla reed e da una magnete permanente.
Per un corretto funzionamento di questo accessorio, Vi invitiamo a seguire le seguenti avvertenze:

1. maneggiare con cura
2. riporre a magazzino nell'imballo originale
3. togliere dall'imballo solo al momento del montaggio
4. evitare assiami di più flussostati
5. non avvicinarlo a campi magnetici
6. non riporre su piani metallici.

Il non rispetto di queste norme può causare la smagnetizzazione del magnete permanente e determinare il mancato funzionamento del flussostato.

Grazie per la gentile collaborazione.

P.A. S.p.A.

FLOW SWITCH PN 28.04XX.XX - 28.05XX.XX

IMPORTANT:

The PA flow switch consists of a reed bulb and a permanent magnet.

For a correct use of the device, please read the following instructions:

1. Handle with care
2. Keep stored in its original packaging
3. Only unpack immediately before installation
4. Avoid assembling several devices at the same time
5. Protect from magnetic fields
6. Keep away from metallic surfaces

Not complying with these guidelines may cause demagnetisation of the permanent magnet and therefore prevent the flow switch from working properly.

Thank you for your kind cooperation.

P.A. S.p.A.

FLUSSOSTAT REF. 28.04XX.XX - 28.05XX.XX

Attention !!!!!

Le flussostat PA se compose d'une ampoule reed et d'un aimant permanent.

Pour un fonctionnement correct de cet accessoire, nous vous prions de bien vouloir suivre les indications suivantes:

1. Manipuler avec précaution
2. Emmagasiner dans l'emballage d'origine
3. Ne pas le sortir de l'emballage qu'au moment du montage
4. Eviter de monter de plusieurs flussostats ensemble
5. Protéger l'appareil de l'exposition aux champs magnétiques
6. Ne pas le poser sur des surfaces métalliques

Le manque de respecter ces instructions peut provoquer la démagnétisation de l'aimant permanent, et par conséquence, le mal fonctionnement du flussostat.

Merci de votre attention.

P.A. S.p.A.

STROMSCHALTER BEST-NR. 28.04XX.XX - 28.05XX.XX

WICHTIG:

Der Stromschalter besteht aus einem Reedschalter und einem Dauermagneten.

Um eine einweindfreie Funktion zu gewährleisten, bitten wir Sie, folgende Anweisungen zu beachten:

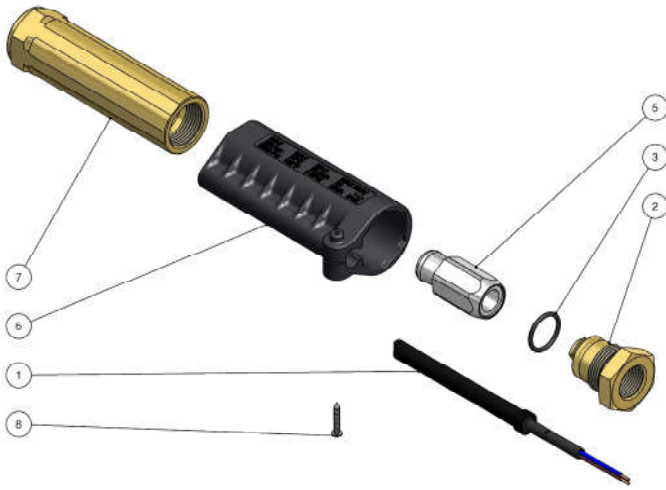
1. sorgfältige Handhabung
2. in der Originalverpackung lagern
3. Die Verpackung erst kurz vor der Benutzung entfernen
4. nicht mehrere Stromschalter zusammen installieren
5. Stromschalter von Magnetfeldern fernhalten
6. Stromschalter nicht auf Metalloberflächen stellen

Bei Nichtbeachten der o. g. Empfehlungen, kann dass ein Entmagnetisieren des Dauermagneten hervorrufen, sowie ein Nichtfunktionieren des Stromschalters.

Wir danken Ihnen für Ihre Aufmerksamkeit!

P.A. S.p.A.

28.0430.00 FL7MS Flow switch 3/8FF Bsp-0,3 l/min



Pos.	P/N	Description	Q.ty	K1	K2	K3	K4	
1	28.0518.23	Feeler, 3A +1250 mm cable	1					5
2	28.0404.31R	Fl/sw. coupl., M22M-3/8F Bsp br.	1					3
3	10.3066.01R	O-ring, 1,78x15,6 mm Ni 85	1					10
5	28.0433.23R	Sst magnet holder, MS	1					2
6	28.0408.84R	Flow switch housing, PA	1					5
7	28.0431.31R	Fl/sw. housing, MS-3/8F Bsp brass	1					3
8	16.3021.18R	S/tapping screw, DIN7981 2,5x18 mm	1					10