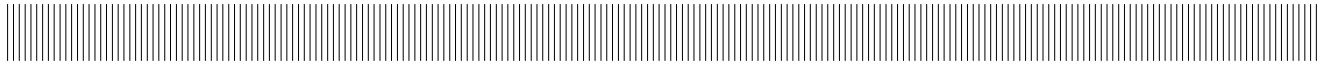


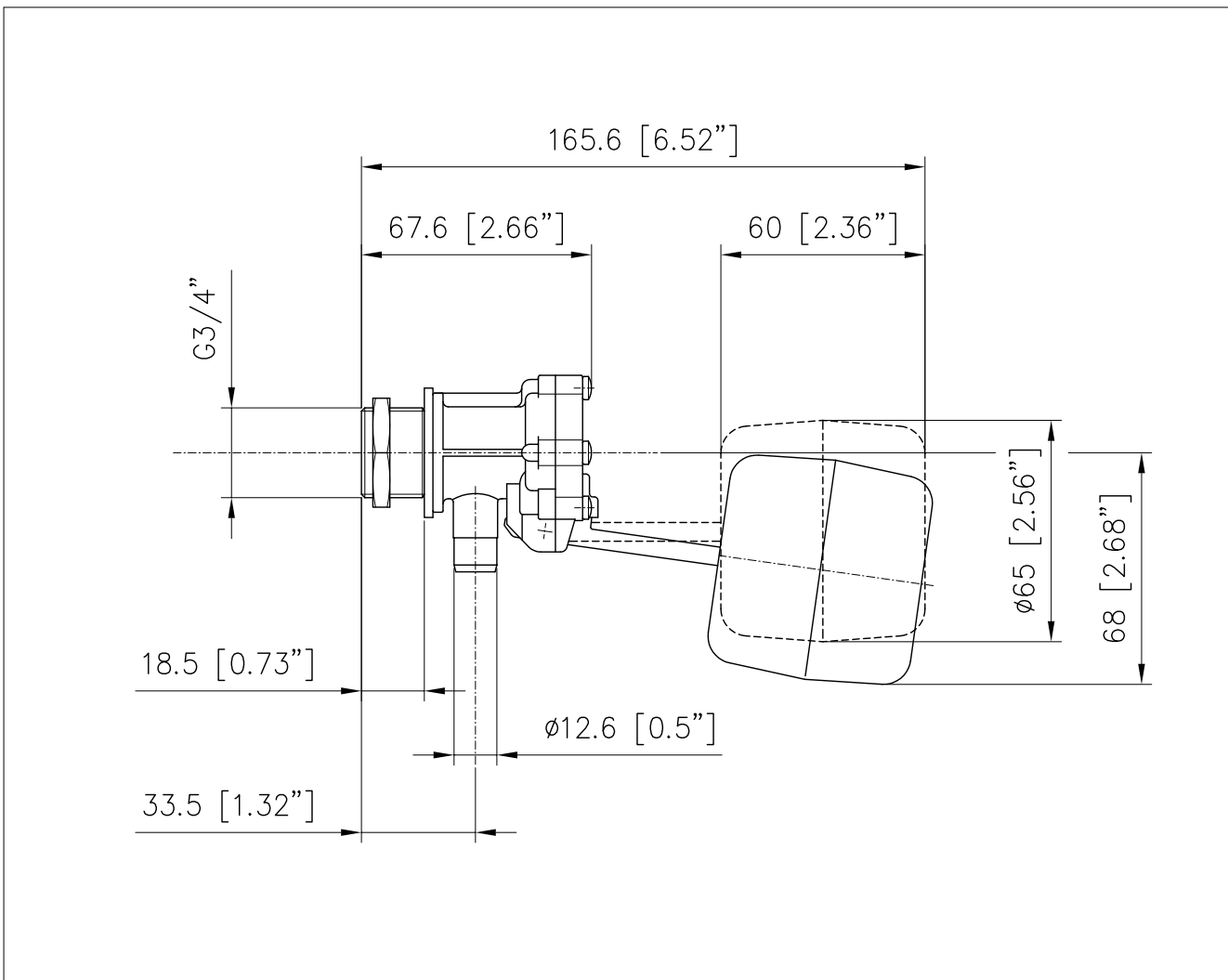
| | | | | |
|---|--|--|---|---|
|  | EQUIPAGGIAMENTI TECNICI LAVAGGIO | 29.0150.00 RUBIN. IN PLAST. CON GALLEGG. PLASTIC FLOAT VALVE | ① |  |
| | | | Ⓜ | |



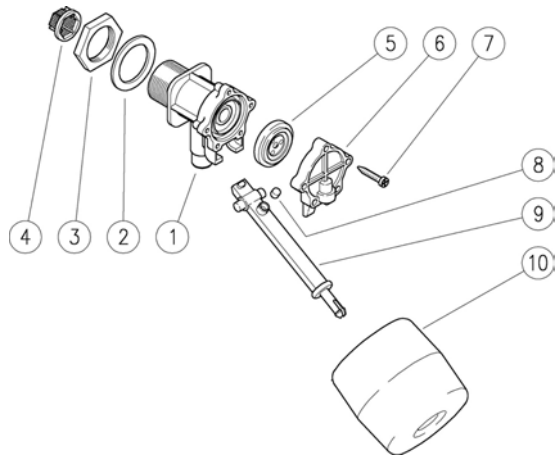
CARATTERISTICHE TECNICHE
SPECIFICATIONS

| | | | |
|--|---|----------------|--|
| - FUNZIONAMENTO WORKING | APERTURA E CHIUSURA CON COMANDO COMPENSATO A MEMBRANA FLOW ON-OFF DIAPHRAGM ASSISTED | | |
| - PRESSIONE MASSIMA MAX PRESSURE | 10 bar – 0.1 MPa (145 psi) | | |
| - PORTATA FLOW RATE AT 1 bar – 0.1 MPa (14.5 psi) | 25 l/min | (6.5 USG p.m.) | |
| A 2 bar – 0.2 MPa (29 psi) | 30 l/min | (8 USG p.m.) | |
| - TEMPERATURA MASSIMA MAX WORKING TEMPERATURE | 60° C (140°F) | | |

MISURE D'INGOMBRO
OVERALL DIMENSIONS



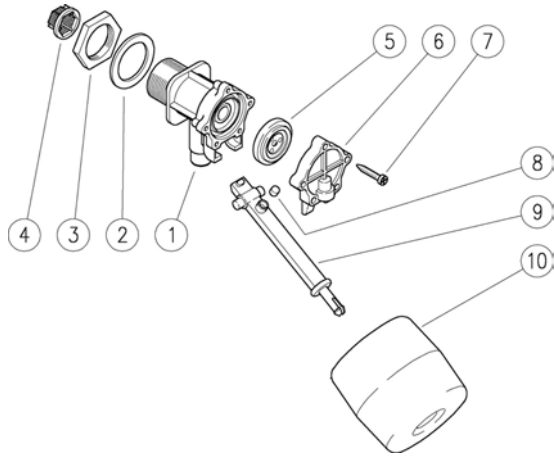
29.0150.00 RGP regolatore gall.plast.G3/4M



| Pos. | Codice | Descrizione | Q.tà | K1 | K2 | K3 | K4 | |
|------|------------|---------------------------------|------|----|----|----|----|----|
| 1 | 29.0141.84 | Corpo RGP G3/4M PP nero | 1 | | | | | 5 |
| 2 | 29.0189.81 | Guarn. Front. 26x36x2 mm NBR | 1 | | | | | 10 |
| 3 | 29.0188.31 | Dado G3/4F ott. | 1 | | | | | 10 |
| 4 | 29.0153.84 | Filtro ingresso 19 mm | 1 | • | | | | 10 |
| 5 | 29.0151.21 | Guarn. frontale | 1 | • | | | | 10 |
| 6 | 29.0144.84 | Coperchio RGP PP nero | 1 | | | | | 5 |
| 7 | 16.3077.00 | Vite autofil. DIN7981 3,5x18 mm | 5 | | | | | 10 |
| 8 | 29.0145.81 | Guarn. frontale 5x4 mm NBR | 1 | | | | | 10 |
| 9 | 29.0142.84 | Asta RGP PP nero | 1 | | | | | 5 |
| 10 | 29.0143.84 | Galleggiante RGP PE-HD nero | 1 | | | | | 10 |

| Kit | Codice | Descrizione | |
|-----|------------|----------------------|---|
| K1 | 29.0154.24 | Kit ric. RGP 2x10pz. | 1 |

29.0150.00 RGP Float valve,plast.3/4M Bsp



| Pos. | P/N | Description | Q.ty | K1 | K2 | K3 | K4 | |
|------|------------|------------------------------------|------|----|----|----|----|----|
| 1 | 29.0141.84 | Housing -RGP 3/4M Bsp PP black | 1 | | | | | 5 |
| 2 | 29.0189.81 | Front seal, 26x36x2 mm NBR | 1 | | | | | 10 |
| 3 | 29.0188.31 | Nut, 3/4F Bsp brass | 1 | | | | | 10 |
| 4 | 29.0153.84 | Inlet strainer, 19 mm | 1 | • | | | | 10 |
| 5 | 29.0151.21 | Front seal | 1 | • | | | | 10 |
| 6 | 29.0144.84 | Lid, RGP PP black | 1 | | | | | 5 |
| 7 | 16.3077.00 | S/tapping screw, DIN7981 3,5x18 mm | 5 | | | | | 10 |
| 8 | 29.0145.81 | Front seal, 5x4 mm NBR | 1 | | | | | 10 |
| 9 | 29.0142.84 | Rod -RGP, PP black | 1 | | | | | 5 |
| 10 | 29.0143.84 | Float body -RGP, black | 1 | | | | | 10 |

| Kit | P/N | Description | |
|-----|------------|---------------------------|---|
| K1 | 29.0154.24 | Spares kit - RGP 2x10pcs. | 1 |