

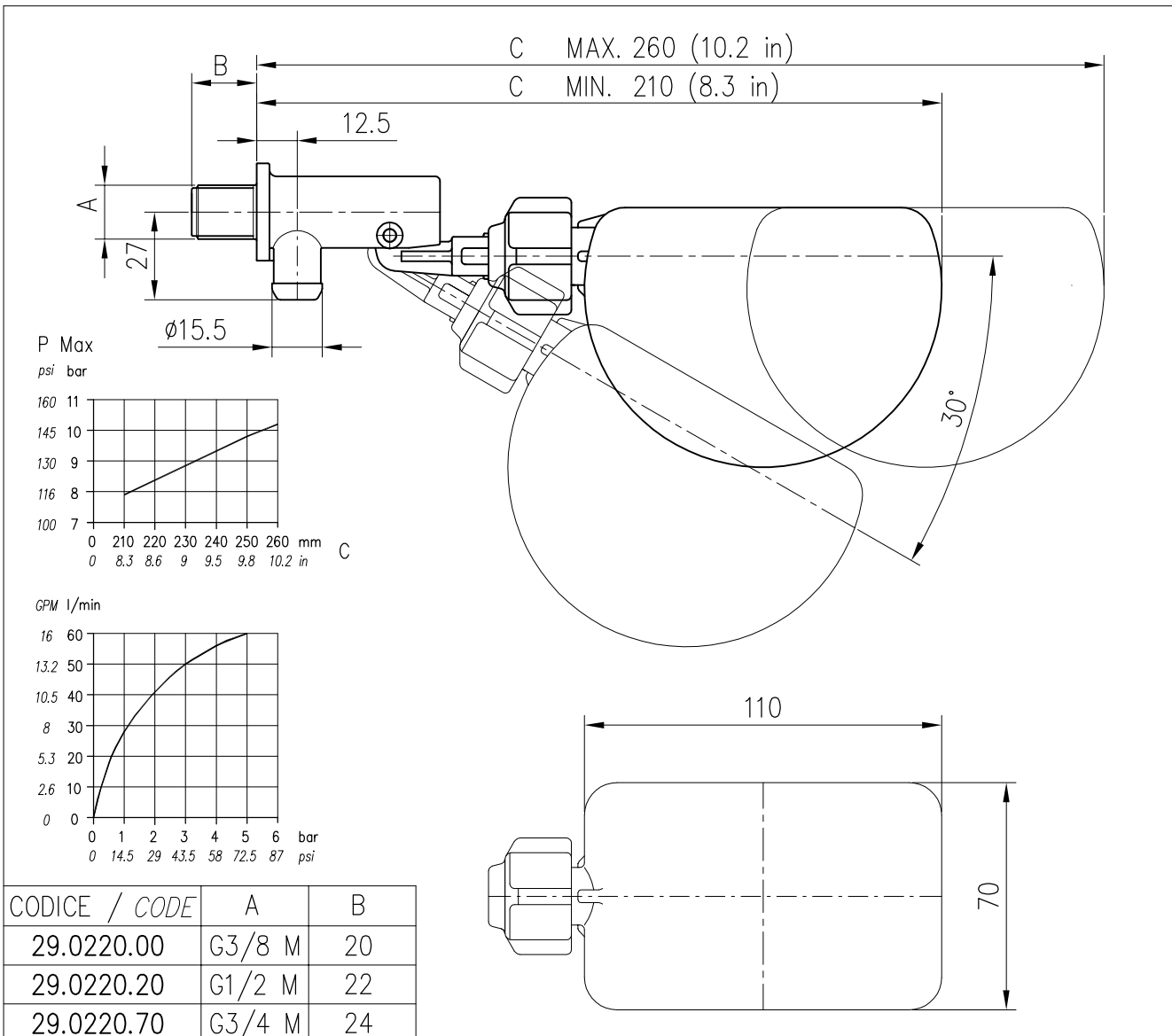
	E QUIPAGGIAMENTI T ECNICI L AVAGGIO	GALLEGGIANTE IN PLASTICA PLASTIC FLOAT VALVE RG30		
			18/02/10	



CARATTERISTICHE TECNICHE SPECIFICATIONS

- FUNZIONAMENTO WORKING	APERTURA E CHIUSURA CON COMANDO DIRETTO DIRECT ON/OFF SWITCH
- PRESSIONE MASSIMA MAX PRESSURE	10 bar - 1 MPa (145 psi)
- PORTATA A 1 bar - 0.1 MPa (14.5 psi) FLOW RATE AT 1 bar - 0.1 MPa (14.5 psi)	28 l/min (7.4 USG p.m.)
- PORTATA A 2 bar - 0.2 MPa (29 psi) FLOW RATE AT 2 bar - 0.2 MPa (29 psi)	40 l/min (10.5 USG p.m.)
- TEMPERATURA MASSIMA MAX WORKING TEMPERATURE	60° C (140°F)

MISURE D'INGOMBRO OVERALL DIMENSIONS



C MAX. 260 (10.2 in)
 C MIN. 210 (8.3 in)

A: 27
 B: 12.5
 Ø15.5
 30°
 110
 70

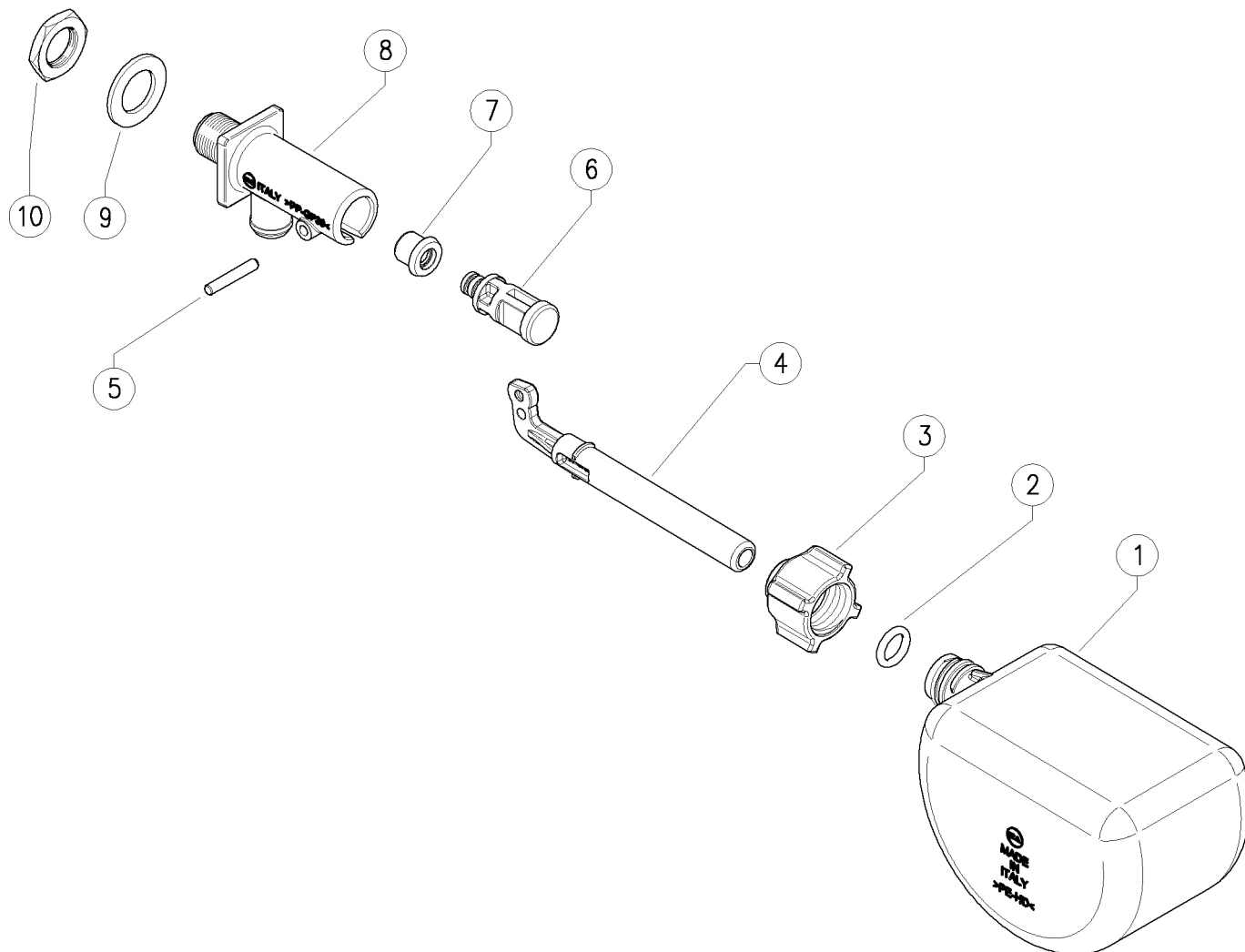
P Max
 psi bar
 160 11
 145 10
 130 9
 116 8
 100 7
 0 210 220 230 240 250 260 mm
 0 8.3 8.6 9 9.5 9.8 10.2 in C

GPM l/min
 16 60
 13.2 50
 10.5 40
 8 30
 5.3 20
 2.6 10
 0 0
 0 1 2 3 4 5 6 bar
 0 14.5 29 43.5 58 72.5 87 psi

CODICE / CODE	A	B
29.0220.00	G3/8 M	20
29.0220.20	G1/2 M	22
29.0220.70	G3/4 M	24

29.0220.00 RG30 Galleggiante pla.30 l/min G3/8M
 29.0220.20 RG30 Galleggiante pla.30 l/min G1/2M

29.0220.70 RG30 Galleggiante pla.30 l/min G3/4M



Pos.	Codice	Descrizione	Q.tà	K1	K2	K3	K4	
1	29.0227.84	Galleggiante RG30	1					10
2	10.3175.00	An.OR 2,62x10,77 mm	1					10
3	29.0226.84	Girello D.35mm	1					10
4	29.0225.84	Asta galleggiante RG30	1					5
5	30.1504.51	Spina cil. 4x24 mm inox	1					10
6	29.0224.84	Pistone RG30	1					10
7	29.0221.85	Guarnizione	1					5
8	29.0222.84	Corpo galle.RG30 G3/8 M (1)	1					5

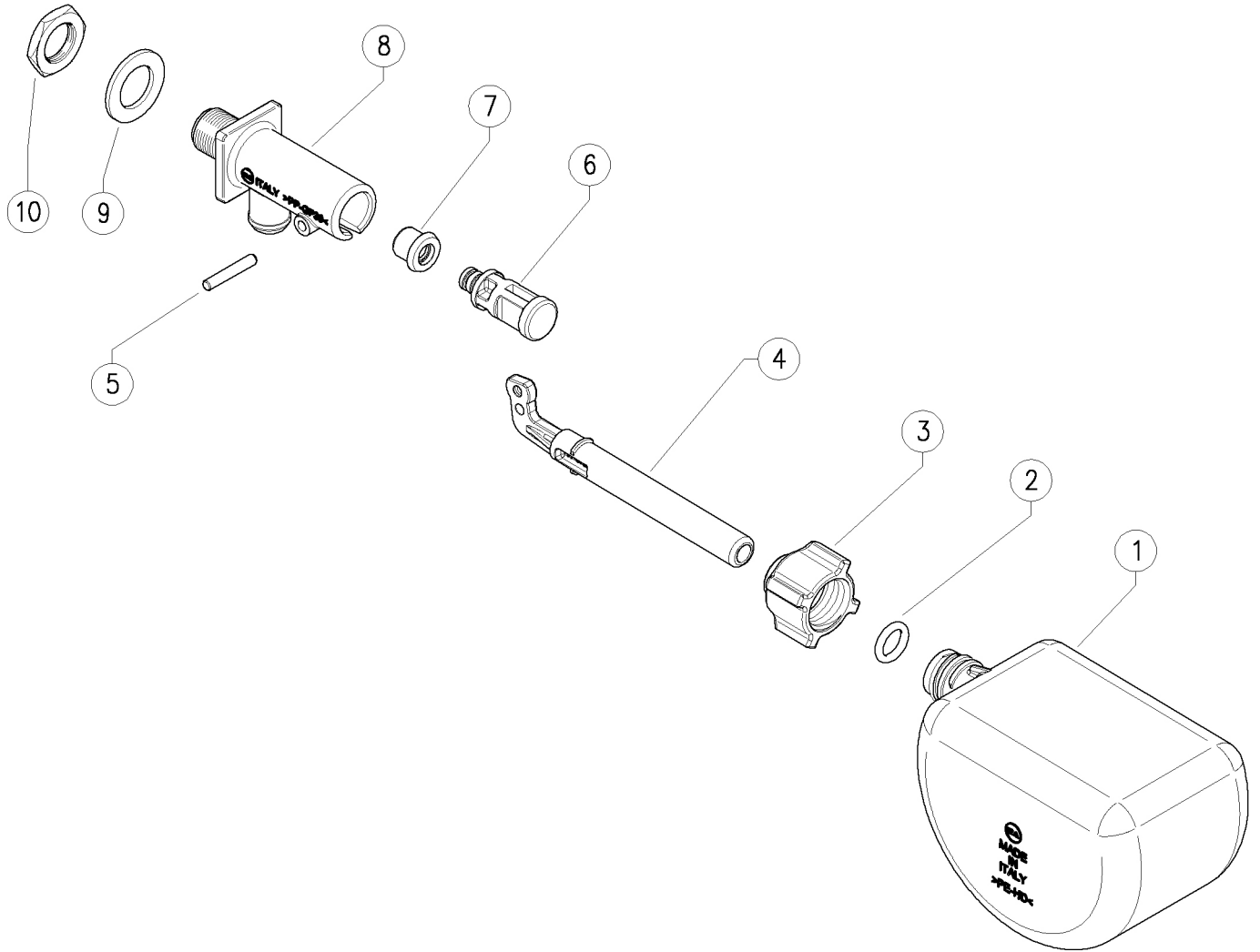
Pos.	Codice	Descrizione	Q.tà	K1	K2	K3	K4	
8	29.0223.84	Corpo galle.RG30 G1/2 M (2)	1					5
8	29.0228.84	Corpo galle.RG30 G3/4 M (3)	1					5
9	29.0176.81	Guarn. Front. 17x28x2 mm NBR (1)	1					10
9	29.0177.81	Guarn. Front. 19x30x2 mm nero (2)	1					10
9	29.0189.81	Guarn. Front. 26x36x2 mm NBR (3)	1					10
10	29.0171.31	Dado,ott. G3/8F (1)	1					50
10	29.0175.31	Dado G1/2F ott. (2)	1					10
10	29.0188.31	Dado G3/4F ott. (3)	1					10

(1) 29.0220.00 (2) 29.0220.20 (3) 29.0220.70

29.0220.00 RG30 Plastic float valve, 3/8Bsp M

29.0220.20 RG30 Plastic float valve, 1/2Bsp M

29.0220.70 RG30 Plastic float valve, 3/4Bsp M



Pos.	P/N	Description	Q.ty	K1	K2	K3	K4	
1	29.0227.84	Float body RG30	1					10
2	10.3175.00	O-ring, 2,62x10,77 mm	1					10
3	29.0226.84	Hand nut, 35 mm	1					10
4	29.0225.84	Rod RG30	1					5
5	30.1504.51	Parallel pin, 4x24 mm Sst.	1					10
6	29.0224.84	Piston RG30	1					10
7	29.0221.85	Front gasket, CR	1					5
8	29.0222.84	Float valve body 3/8 Bsp M (1)	1					5

Pos.	P/N	Description	Q.ty	K1	K2	K3	K4	
8	29.0223.84	Float valve body 1/2 Bsp M (2)	1					5
8	29.0228.84	Float valve body 3/4 Bsp M (3)	1					5
9	29.0176.81	Front seal, 17x28x2 mm NBR (1)	1					10
9	29.0177.81	Front seal, 19x30x2 mm black (2)	1					10
9	29.0189.81	Front seal, 26x36x2 mm NBR (3)	1					10
10	29.0171.31	Nut, brass, 3/8F Bsp (1)	1					50
10	29.0175.31	Nut, 1/2F Bsp brass (2)	1					10
10	29.0188.31	Nut, 3/4F Bsp brass (3)	1					10

(1) 29.0220.00 (2) 29.0220.20 (3) 29.0220.70