

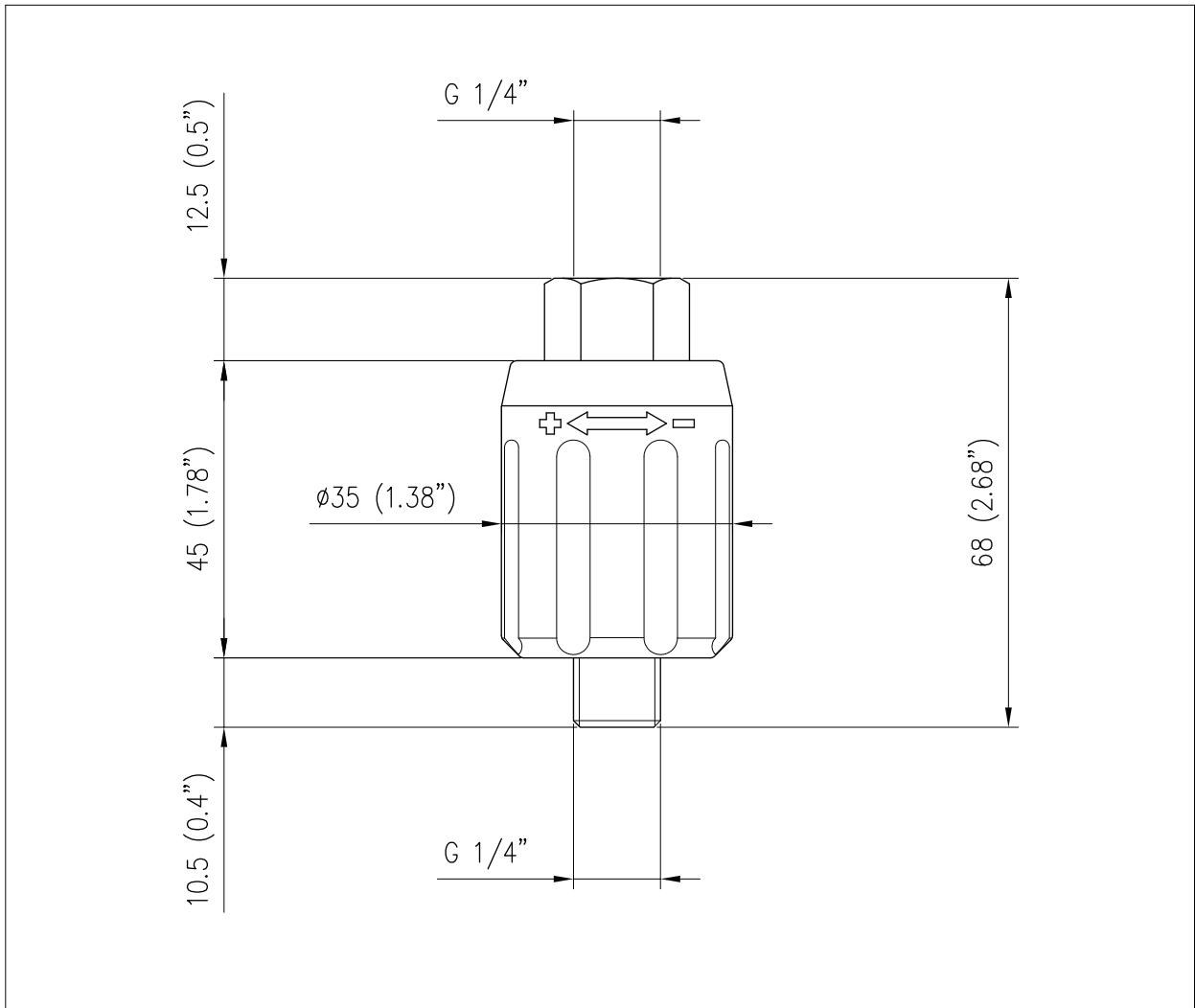
	EQUIPAGGIAMENTI TECNICI LAVAGGIO	RF1 - REGOLATORE DI PORTATA RF1 - FLOW REGULATOR 29.0400.00		
				



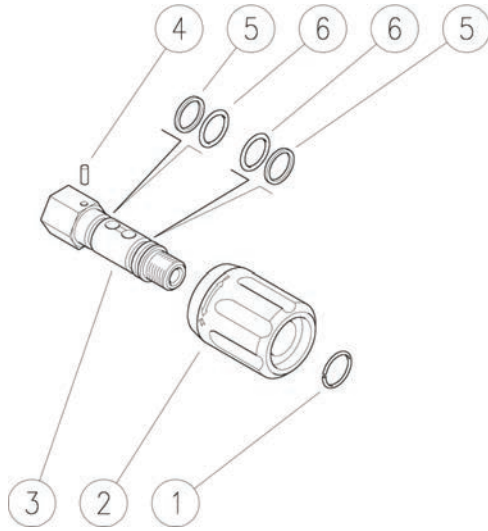
SPECIFICHE TECNICHE
SPECIFICATIONS

- PRESSIONE NOMINALE RATED PRESSURE	250 bar - 25 MPa (3650 psi)
- PRESSIONE CONSENTITA PERMISSIBLE PRESSURE	280 bar - 28 MPa (4050 psi)
- PORTATA MASSIMA MAX FLOW RATE	30 l/min (8 USG p.m.)
- TEMPERATURA MASSIMA MAX WORKING TEMPERATURE	160° C (320 °F)
- MATERIALE MATERIAL	CORPO IN OTTONE E IMPUGNATURA IN PLASTICA ANTIURTO BRASS BODY AND SHOCKPROOF PLASTIC HANDLE

MISURE D'INGOMBRO
OVERALL DIMENSIONS



29.0400.00 RF1 Flow regulator 1/4MF Bsp



Pos.	P/N	Description	Q.ty	K1	K2	K3	K4	
1	29.0402.51R	Snap ring, 1,6x14,3 mm Sst.	1					5
2	29.0403.22R	Knob -RF1, PA black	1					3
3	29.0401.31R	Hollow shaft, 1/4Bsp MF brass	1					3
4	15.1018.00R	Parallel pin, 3x8 mm Sst.	1					10
5	10.4013.00R	Back-up ring, 16x13,2x1,2 mm	2					10
6	10.3060.00R	O-ring, 1,78x12,42 mm	2					10