

	EQUIPAGGIAMENTI TECNICI LAVAGGIO	TR1 – TESTINA REGOLABILE TR1 – ADJUSTABLE NOZZLE	I	<div style="border: 2px solid black; padding: 2px; display: inline-block;">4</div>
			GB	



SPECIFICHE TECNICHE  
SPECIFICATION

– PRESSIONE NOMINALE RATED PRESSURE	250 bar – 25 MPa (3650 psi)
– PRESSIONE CONSENTITA PERMISSIBLE PRESSURE	280 bar – 28 MPa (4050 psi)
– PORTATA MASSIMA MAX FLOW RATE	30 l/min (8 USG p.m.)
– TEMPERATURA MASSIMA MAX WORKING TEMPERATURE	160° C (320 °F)

MISURE D'INGOMBRO  
OVERALL DIMENSIONS

F.P. UGELLO  
NOZZLE SIZE

①

---

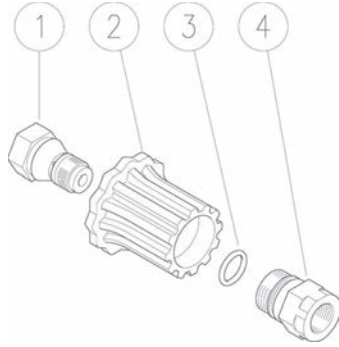
F.P. UGELLO + F.P 20-30  
NOZZLE SIZE + SIZE 20-30

②

CODICE CODE	X	Y
22.0000.00	G 1/4 F	1/4 NPT F
22.0000.05	1/4 NPT F	1/4 NPT F
22.0000.15	G 1/4 F	1/8 NPT F

22.0000.00 TR1 nzl/hold.,adj. 1/4F Bsp-1/4F Npt

22.0000.05 TR1 nzl/hold.,adj. 1/4FF Npt



22.0000.15 TR1 nzl/hold.,adj. 1/4F Bsp-1/8F Npt

Pos.	P/N	Description	Q.ty	K1	K2	K3	K4	
1	22.0001.31	Nzl holder, 1/4F Npt-1/4M Bsp brass	1					5
1	22.0004.31	Nzl holder, 1/8F Npt-1/4M Bsp brass (1)	1					5
2	22.0008.22	Knob	1					10
3	10.3066.00	O-ring, 1,78x15,6 mm	1					10
4	22.0002.31	Coupling, M18x1 M-1/4F Bsp brass	1					5
4	22.0007.31	Coupling, M18x1 M-1/4F Npt brass (2)	1					5

(1) 22.0000.15 (2) 22.0000.05