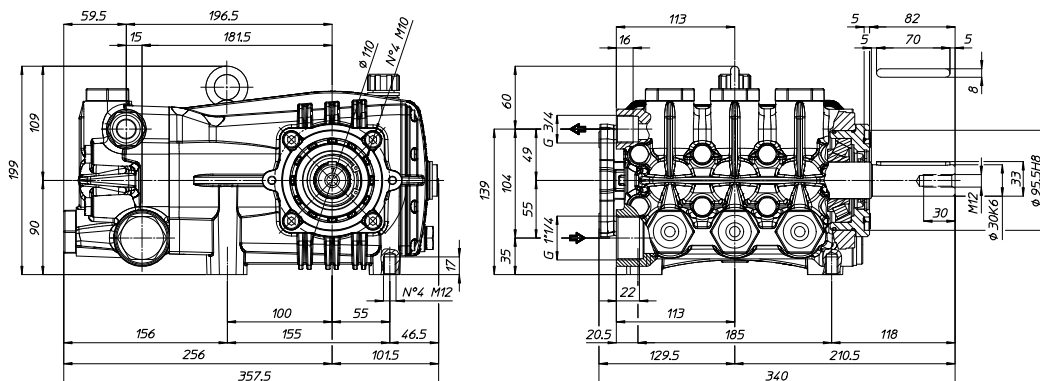


RPM	CODICE CODE	MODELLO MODEL	PORTATA FLOW				PRESSIONE PRESSURE		POTENZA POWER		PESO WEIGHT	PRESA DI FORZA SHAFT TYPE
			NOM.				bar	PSI	HP	kW		
			l/min	GPM	l/min	GPM					Kg	
1000	878800	NK-B 52/170 R	55.4	14.6	52.1	13.8	170	2465	22.7	16.9	30.5	R - Albero MASCHIO 30 mm DX R - MALE Shaft 30 mm RIGHT
	878600	NK-B 60/170 R	62.8	16.6	59.0	15.6	170	2465	25.7	19.2	30.5	
	879000	NK-B 70/150 R	72.1	19.0	69.2	18.3	150	2175	26.6	19.9	30.5	
1450	876200	NK-C 75/170 R	80.4	21.2	75.1	19.9	170	2465	32.8	24.4	30.5	
	875300	NK-C 85/170 R	91.1	24.1	87.0	23.0	170	2465	37.9	28.3	30.5	
	875400	NK-C 100/150 R	104.5	27.6	100.0	26.4	150	2175	38.4	28.6	30.5	
1750	878900	NK-D 24.0/25 R	97.0	25.6	90.2	23.8	170	2465	39.3	29.3	30.5	
	878700	NK-D 27.0/25 R	109.9	29.0	100.0	26.4	170	2465	43.6	32.5	30.5	

Tutti i modelli di Pompe sono disponibili con Presa di Forza Sinistra. Nel Modello compare "L". Esempio : NK-B 52/170 L

All models of PUMPS are available with Left P.T.O. Shaft. Descriptions mention "L". For example : NK-B 52/170 L

**Dimensioni d'ingombro (mm) - Overall Dimensions (mm)**



# 878600 - PUMP NK-B 60/170 R

