



series

STANDARD VERSION



VH version

All models can be supplied with built-in "H" type automatic pressure regulator (right), allows to set the pump pressure to zero.

Tous les modèles peuvent être livrés avec régulateur automatique incorporé de la série "H", (à droite) qui permet de réduire la pression à zéro dans la pompe.

Alle Modelle sind mit eingebautem automatischem Druckreguliertyp "H" lieferbar (rechts). Wenn die Pumpe in Bypass läuft, stellt der "H" Typ den Druck auf Null in der Pumpe.

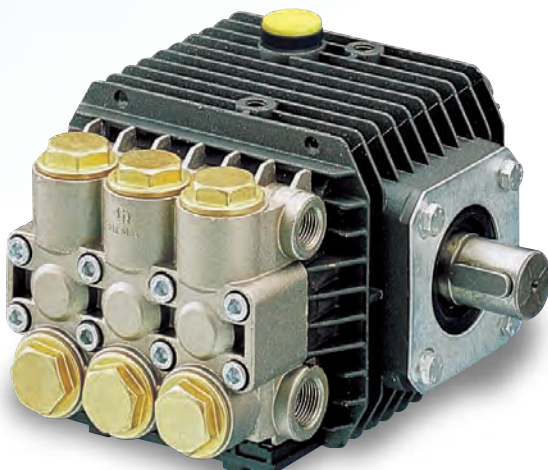
Todos los modelos pueden venir equipados con regulador automático de presión incorporado, de tipo "H" (a la derecha), que baja la presión a cero cuando la bomba marcha en bypass.

Tutti i modelli possono essere forniti con valvola di regolazione automatica incorporata (a destra) di tipo "H", che consente di azzerare la pressione in pompa.



5 | series

Pump type Type de pompe Pumpentype Tipo de bomba Tipo di pompa	Flow rate Débit Förderleistung Caudal Portata		Max. pressure Pression Druck Presión Pressione			r.p.m. tr./min. u.p.m. r/min. g./min.	Power Puissance Leistung Potencia Potenza		Weight Poids Gewicht Peso Peso	Dimensions Dimensions Dimension Dimensiones Dimensioni
	l/min.	G.P.M. (U.S.A.)	bar	MPa	p.s.i.		kW	hp		
W1507	7	1.85	150	15	2175	1450	2,20	3	5,2	177x175x130
W1208	8	2.11	120	12	1750		1,83	2,5		
W1210	10	2.64	120	12	1750		2,20	3		
T1508	8	2.11	150	15	2175	1750	2,20	3	5,2	177x175x130
T1209	9	2.38	120	12	1750		2,20	3		
T1212	12	3.17	120	12	1750		2,94	4		
WW55	8	2.11	50	5	725	2800	0,73	1	4	177x175x130
WW74	8	2.11	70	7	1015		1,10	1,5		
WW90	8	2.11	90	9	1300		1,47	2		
WW1508	8	2.11	150	15	2175		2,20	3	5,2	
WW1509	9	2.38	150	15	2175		2,57	3,5		
WW95	9,5	2.5	100	10	1450		1,83	2,5	5,1	
WW1510	10	2.64	150	15	2175		2,94	4	5,2	
WW56	11	2.9	50	5	725		1,10	1,5	4	
WW75	11	2.9	70	7	1015		1,47	2		
WW93	11	2.9	90	9	1300		1,83	2,5	5,1	
WW1511	11	2.9	150	15	2175		3,30	4,5	5,2	
WW94	13	3.43	90	9	1300		2,20	3	5,1	
WW1513	13	3.43	150	15	2175		3,67	5	5,2	
TT1508	8	2.11	150	15	2175	3400	2,20	3	5,2	177x175x130
TT1510	10	2.64					2,94	4		
TT1511	11	2.9					3,30	4,5		
TT1512	12	3.17					3,30	4,5		
TT1513	13	3.43					3,67	5		



WW55 - WW56 - WW74 - WW75

Standard version with nickel plated aluminium head.
Version with brass head available on request.

Version standard avec culasse en aluminium nickelé.
Version avec culasse laiton disponible sur requête.

Standardausführung mit vernickeltem Aluminiumkopf.
Ausführung mit Messingkopf lieferbar auf Wunsch.

Versión standard con culata de aluminio niquelado.
Versión con culata de latón disponible bajo pedido.

Versione standard con testata in alluminio nichelato.
Disponibile su richiesta la versione con testata in ottone.



5 | series

Pump type Type de pompe Pumpentype Tipo de bomba Tipo di pompa	Flow rate Débit Förderleistung Caudal Portata		Max. pressure Pression Druck Presión Pressione			r.p.m. tr./min. u.p.m. r/min. g./min.	Power Puissance Leistung Potencia Potenza	
	l/min.	G.P.M. (U.S.A.)	bar	MPa	p.s.i.		kW	hp

W905A	8	2.11	70	7	1015	1750	1,10	1,5
T1508A	8	2.11	150	15	2175		2,20	3
T1209A	9	2.38	120	12	1750		2,20	3
T1212A	12	3.17	120	12	1750		2,94	4
WW906A	8	2.11	70	7	1015	3400	1,10	1,5
WW907A	10,6	2.8	55	5,5	800		1,10	1,5

A Version

For electric motor NEMA 56 C
 Pour moteur électrique NEMA 56 C
 Für Elektromotor NEMA 56 C
 Para motor eléctrico NEMA 56 C
 Per motore elettrico NEMA 56 C

W1507B	7	1.85	150	15	2175	1450	2,20	3
W1208B	8	2.11	120	12	1750		1,83	2,5
W1210B	10	2.64	120	12	1750		2,20	3

B Version

For electric motor IEC90 B14 (special shaft)
 Pour moteur électrique IEC90 B14 (arbre spécial)
 Für Elektromotor IEC90 B14 (Sonderwelle)
 Para motor eléctrico IEC90 B14 (eje especial)
 Per motore elettrico IEC90 B14 (albero speciale)

WW55B	8	2.11	50	5	725	2800	0,73	1
WW74B	8	2.11	70	7	1015		1,10	1,5
WW90B	8	2.11	90	9	1300		1,47	2
WW1508B	8	2.11	150	15	2175		2,20	3
WW95B	9,5	2.5	100	10	1450		1,83	2,5
WW1510B	10	2.64	150	15	2175		2,94	4
WW56B	11	2.9	50	5	725		1,10	1,5
WW75B	11	2.9	70	7	1015		1,47	2
WW93B	11	2.9	90	9	1300		1,83	2,5
WW1511B	11	2.9	150	15	2175		3,30	4,5
WW94B	13	3.43	90	9	1300		2,20	3
WW1513B	13	3.43	150	15	2175		3,67	5

WW906C 3/4"	8	2.11	70	7	1015	3400	1,10	1,5
TT1508C 3/4"	8	2.11	150	15	2175		2,20	3
TT1510C 3/4"	10	2.64	150	15	2175		2,94	4
WW907C 3/4"	10,6	2.8	55	5,5	800		1,10	1,5
TT1511C 3/4"	11	2.9	150	15	2175		3,30	4,5
TT1512C 3/4"	12	3.17	150	15	2175		3,30	4,5
WW909C 3/4"	13	3.43	100	10	1450		2,57	3,5
TT1513C 3/4"	13	3.43	150	15	2175		3,67	5

C 3/4" Version

For gasoline engine SAE J 609-A ext. 3
 Pour moteur essence SAE J 609-A ext. 3
 Für Benzinmotor SAE J 609-A ext. 3
 Para motor de gasolina SAE J 609-A ext. 3
 Per motore endotermico SAE J 609-A ext. 3

All models can be supplied with built-in "H" type automatic pressure regulator (right), allows to set the pump pressure to zero.

Tous les modèles peuvent être livrés avec régulateur automatique incorporé de la série "H", (à droite) qui permet de réduire la pression à zéro dans la pompe.

Alle Modelle sind mit eingebautem automatischem Druckregulierventil Typ "H" lieferbar (rechts). Wenn die Pumpe in Bypass läuft, stellt der "H" Typ den Druck auf Null in der Pumpe.

Todos los modelos pueden venir equipados con regulador automático de presión incorporado, de tipo "H" (a la derecha), que baja la presión a cero cuando la bomba marcha en bypass.

Tutti i modelli possono essere forniti con valvola di regolazione automatica incorporata (a destra) di tipo "H", che consente di azzerare la pressione in pompa.

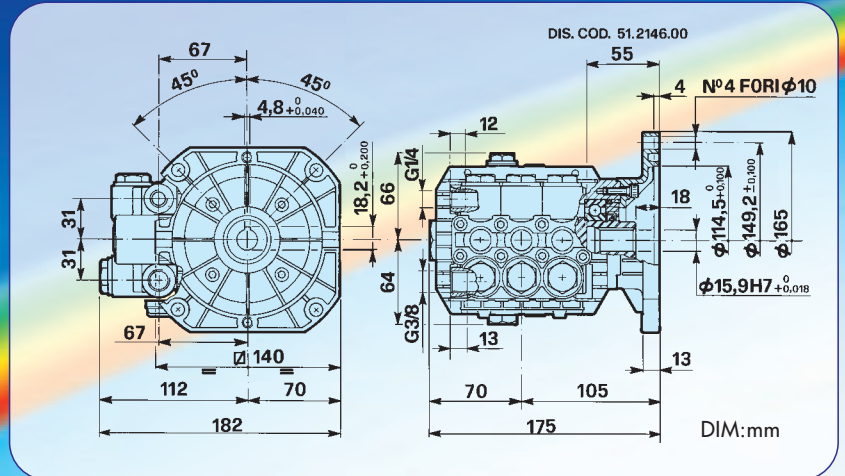


5 | series

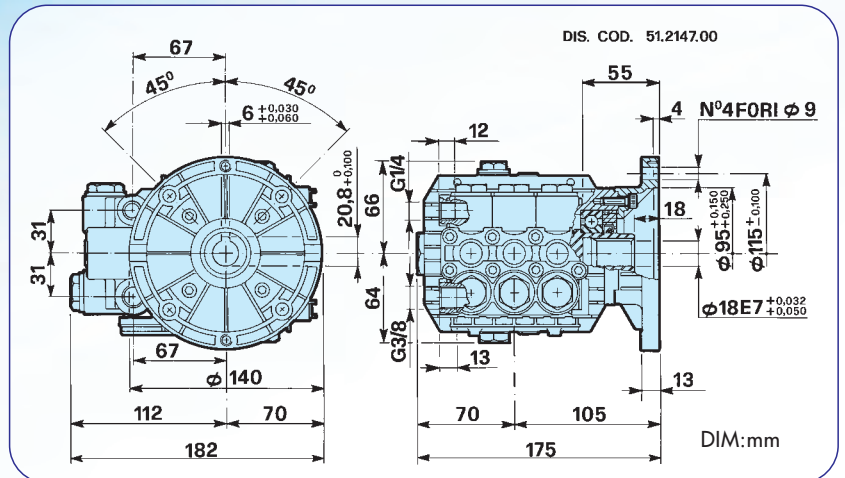
VERSIONS WITH FLANGE
VERSIONS AVEC BRIDE
AUSFÜHRUNGEN MIT FLANSCH
VERSIONES CON BRIDA
VERSIONI CON FLANGIA



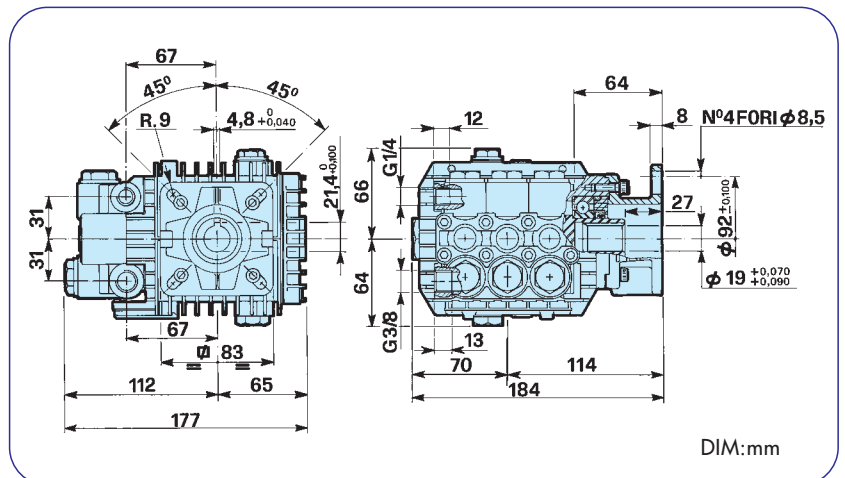
A Version



B Version



C 3/4" Version





INTERPUMPGROUP



I
GB

ISTRUZIONI D'USO
INSTRUCTIONS FOR USE

F
D

MODE D'EMPLOI
BEDIENUNGSANLEITUNG

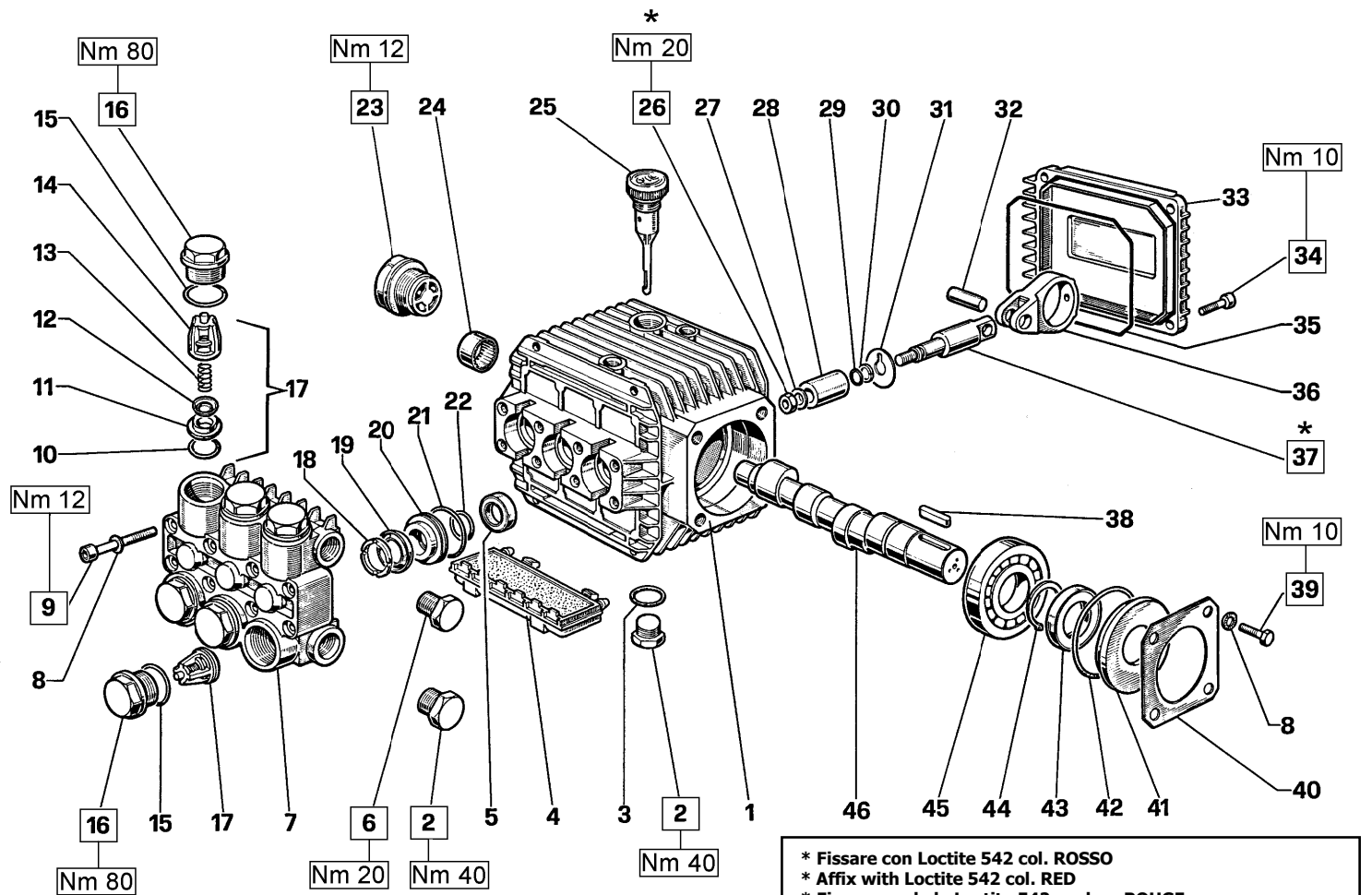
E
P

INSTRUCCIONES DE USO
INSTRUÇÕES DE USO

Questo manuale deve essere letto e compreso in accordo al libretto generico "Istruzioni d'uso e manutenzione".
 This manual must be read and followed in accordance with the generic "Instructions for Use and Maintenance" booklet.
 Ce manuel doit être lu et compris en accord avec la notice générale " Mode d'emploi et d'entretien ".
 Dieses Handbuch ist in Verbindung mit dem allgemeinen Handbuch " Gebrauchs- und Wartungsanleitung " zu lesen und zu verstehen.
 Este manual debe leerse y comprenderse de acuerdo con el manual general "Instrucciones de uso y mantenimiento".
 Este manual deve ser lido e interpretado de acordo com o livro genérico "Instruções de uso e manutenção".

51	Type Type Type Tipo	Flow rate Débit Förderstrom Caudal Portata		Pressure Pressione Druck Presion Pressione			rpm t/m upm r/m g/m	Power Puissance Leistung Potencia Potenza		Weight Poids Gewicht Peso Massa		
		L/min	gpm	bar	MPa	psi		Hp	kW	Kg	lbs	
S E R I E S	W1507	7	1.85	150	15	2175	1450	3	2.20	5.2	11.4	0.3
	W1208	8	2.11	120	12	1750	1450	2.5	1.83	5.2	11.4	0.3
	W1210	10	2.64	120	12	1750	1450	3	2.20	5.2	11.4	0.3
	W905 T9051	8	2.11	70	7	1015	1750	1.5	1.10	5.2	11.4	0.3
	T1508	8	2.11	150	15	2175	1750	3	2.20	5.2	11.4	0.3
	T1209	9	2.38	120	12	1750	1750	3	2.20	5.2	11.4	0.3
	T1212	12	3.17	120	12	1750	1750	4	2.94	5.2	11.4	0.3
	WW55 TT551	8	2.11	50	5	725	2800	1	0.73	5.2	11.4	0.3
	WW74 TT741	8	2.11	70	7	1015	2800	1.5	1.10	5.2	11.4	0.3
	WW90 TT901	8	2.11	90	9	1300	2800	2	1.47	5.2	11.4	0.3
	WW1508	8	2.11	150	15	2175	2800	3	2.20	5.2	11.4	0.3
	WW1509	9	2.38	150	15	2175	2800	3.5	2.57	5.2	11.4	0.3
	WW95 TT951	9.5	2.50	100	10	1450	2800	2.5	1.83	5.2	11.4	0.3
	WW1510	10	2.64	150	15	2175	2800	4	2.94	5.2	11.4	0.3
	WW56 TT561	11	2.90	50	5	725	2800	1.5	1.10	5.2	11.4	0.3
	WW75 TT751	11	2.90	70	7	1015	2800	2	1.47	5.2	11.4	0.3
	WW93 TT931	11	2.90	90	9	1300	2800	2.5	1.83	5.2	11.4	0.3
	WW1511	11	2.90	150	15	2175	2800	4.5	3.30	5.2	11.4	0.3
	WW94 TT941	13	3.43	90	9	1300	2800	3	2.20	5.2	11.4	0.3
	WW1513	13	3.43	150	15	2175	2800	5	3.67	5.2	11.4	0.3
WW906 TT9061	8	2.11	70	7	1015	3400	1.5	1.10	5.2	11.4	0.3	
TT1508	8	2.11	150	15	2175	3400	3	2.20	5.2	11.4	0.3	
TT1510	10	2.64	150	15	2175	3400	4	2.94	5.2	11.4	0.3	
WW907 TT9071	10.6	2.80	55	5.5	800	3400	1.5	1.10	5.2	11.4	0.3	
TT1511	11	2.90	150	15	2175	3400	4	2.94	5.2	11.4	0.3	
TT1512	12	3.17	150	15	2175	3400	4.5	3.30	5.2	11.4	0.3	
WW909 TT9091	13	3.43	100	10	1450	3400	3.5	2.57	5.2	11.4	0.3	
TT1513	13	3.43	150	15	2175	3400	5	3.67	5.2	11.4	0.3	





- * Fissare con Loctite 542 col. ROSSO
- * Affix with Loctite 542 col. RED
- * Fixer avec de la Loctite 542 couleur ROUGE
- * Mit Loctite 542 ROT befestigen
- * Fijar con Loctite 542 col. ROJO
- * Fixar com Loctite 542 cor. VERMELHA



**WW55 – WW56 – WW74 – WW75
WW90 – WW93 – WW94 – WW95
TT551 – TT561 – TT741 – TT751
TT901 – TT931 – TT941 – TT951**

KIT RICAMBI – SPARE KITS

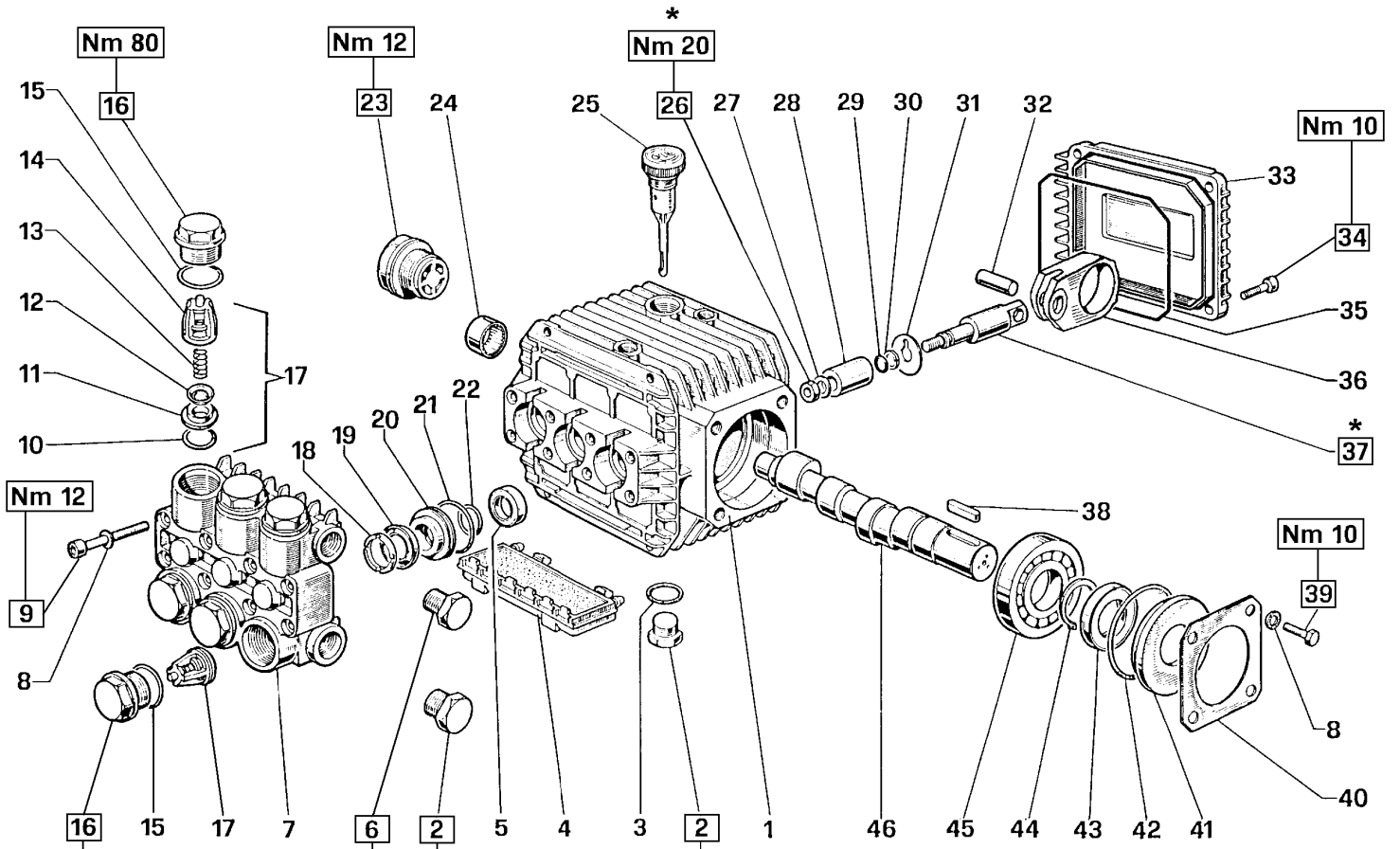
PISTONE - PISTON Ø15

KIT Nr.	KIT 1	KIT 83	KIT 84	KIT 86	KIT 96	KIT 97
Posizioni include Positions included	10 – 11 12 – 13 14 (17)	5	15 - 16	20 - 21 22	18 – 19 20 – 21 22	18 – 19 21 - 22
Nr. Pcs.	6	3	6	3	1	3

POS	COD.	DESCRIZIONE – DESCRIPTION - KIT	NR
1	51.0106.22	Carter pompa	1
2	98.2100.00	Tappo G 3/8"x13	2
3	90.3833.00	OR Ø 13.95x2.62 (3056)	2
4	51.2090.51	Protezione	1
5	90.1565.00	Anello rad. Ø 15x24x5	83 3
6	98.2041.00	Tappo G 1/4"x9	2
7	51.1200.41 51.1200.22	Testata Ø 15 Testata Ø 15 - NICKEL	1 1
8	96.6938.00	Rondella Ø 6.4x10x0.7	8
9	99.1943.00	Vite M6x40 UNI 5931	8
10	90.3841.00	OR Ø 17.13x2.62 (3068)	1 6
11	36.2003.66	Sede valvola	1 6
12	36.2001.76	Valvola sferica	1 6
13	94.7376.00	Molla Ø 9.4x14.8	1 6
14	36.2002.51	Guida valvola123	1 6
15	90.3847.00	OR Ø 20.24x2.62 (3081)	84 6
16	98.2218.00	Tappo M24x1.5x11	84 6
17	36.7032.01	Gruppo valvola aspiraz. / mand.	1 6
18	51.1000.51	Anello di testa Ø 15	96-97 3
19	90.2620.00	Anello ten. alt. Ø 15x25x5/3.1	96-97 3
20	51.0800.70	Anello di fondo Ø 15	86-96 3
21	90.3604.00	OR Ø 25.12x1.78 (2100)	86-96-97 3

POS	COD.	DESCRIZIONE – DESCRIPTION - KIT	NR
22	90.3835.00	OR Ø 15.08x2.62 (119)	86-96-97 3
23	97.5968.00	Spia livello olio	1
24	91.8014.00	Boccola a rullini	1
25	98.2103.00	Tappo carico olio	1
26	92.2216.00	Dado M8x13x5 – INOX	3
27	44.2115.70	Rosetta Ø 8 con collare	3
28	51.0400.09	Pistone Ø 15x25	3
29	90.3573.00	OR Ø 5.28x1.78 (2021)	3
30	90.5022.00	Anello antiest. Ø 6.2x9x1.5	3
31	96.7070.00	Rosetta Ø 9x23x0.5	3
32	97.7310.00	Spinotto Ø 8x24.5	3
33	51.1600.22	Coperchio posteriore	1
34	99.1867.00	Vite M6x18 UNI 5931	4
35	90.3917.00	OR Ø 88.57x2.62 (3350)	1
36	51.0300.22	Biella	3
37	51.0500.56	Guida pistone	3
38	91.4877.00	Linguetta 8x7x25 UNI 6604	1
39	99.1807.00	Vite M6x10 UNI 5937	4
40	50.1500.74	Coperchio carter	1
41	50.2115.51	Distanziale	1
42	90.4097.00	OR Ø 55.56x3.53 (159)	1
43	90.1634.00	Anello rad. Ø 25x42x7	1

POS	COD.	DESCRIZIONE – DESCRIPTION - KIT	NR
44	90.0635.00	Anello seeger Ø 25	1
45	91.8328.00	Cuscinetto a sfere 6305	1
46	51.0217.65 51.0204.65 51.0200.65 51.0201.65	Albero - WW95 – TT951 Albero - WW94 – TT941 Albero - WW55-WW74-WW90 TT551-TT741-TT901 Albero - WW56-WW75-WW93 TT561-TT751-TT931	1 1 1 1



* Fissare con Loctite 542 col. ROSSO
 * Affix with Loctite 542 col. RED
 * Fixer avec de la Loctite 542 couleur ROUGE
 * Mit Loctite 542 ROT befestigen
 * Fijar con Loctite 542 col. ROJO
 * Fixar com Loctite 542 cor. VERMELHA

**KIT RICAMBI – SPARE KITS**

PISTONE - PISTON Ø15

PISTONE - PISTON Ø18

KIT Nr.	KIT 83	KIT 123	KIT 157	KIT 86	KIT 96	KIT 97	KIT 139	KIT 140	KIT 141
Posizioni include Positions included	5	10 – 11 12 – 13 14 (17)	15 - 16	20 - 21 22	18 – 19 20 – 21 22	18 – 19 21 - 22	20 - 21 22	18 – 19 20 – 21 22	18 – 19 21 – 22
Nr. Pcs.	3	6	6	3	1	3	3	1	3

**W1507 – WW1508 – WW1509 – WW1510
WW1511 – WW1513 – W1208 – W1210
T1508 – TT1508 – TT1510 – TT1511
TT1512 – TT1513 – TT1209 – T1212**

PISTONE - PISTON Ø 15

PISTONE - PISTON Ø 18

**W1507 – WW1508 - WW1509
WW1510 - WW1511
WW1513
T1508 – TT1508 – TT1510
TT1511 – TT1512 – TT1513**

**W1208 – W1210
T1209 – T1212**

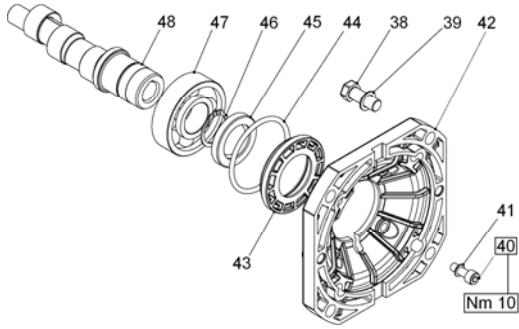
POS	COD.	DESCRIZIONE – DESCRIPTION - KIT	NR
17	36.7115.01	Gruppo valvola aspiraz. / mand.	123 6
18	51.1000.51	Anello di testa Ø 15	96-97 3
	51.1001.51	Anello di testa Ø 18	140-141 3
19	90.2620.00	Anello ten. alt. Ø 15x25x5/3.1	96-97 3
	90.2681.00	Anello ten. alt. Ø 18x26x5/3	140-141 3
20	51.0800.70	Anello di fondo Ø 15	86-96 3
	51.0803.70	Anello di fondo Ø 18	139-140 3
21	90.3604.00	OR Ø 25.12x1.78 (2100)	86-96-97 3
22	90.3835.00	OR Ø 15.08x2.62 (119)	86-96-97 3
	90.3843.00	OR Ø 17.86x2.62 (123)	139-140-141 3
23	97.5968.00	Spia livello olio	1
24	91.8014.00	Boccola a rullini	1
25	98.2103.00	Tappo carico olio	1
26	92.2216.00	Dado M8x13x5 – INOX	3
27	44.2115.70	Rosetta Ø 8 con collare	3
28	51.0400.09	Pistone Ø 15x25	3
	51.0401.09	Pistone Ø 18x25	3
29	90.3573.00	OR Ø 5.28x1.78 (2021)	3
30	90.5022.00	Anello antiest. Ø 6.2x9x1.5	3
31	96.7070.00	Rosetta Ø 9x23x0.5	3
32	97.7310.00	Spinotto Ø 8x24.5	3
33	51.1600.22	Coperchio posteriore	1
34	99.1867.00	Vite M6x18 UNI 5931	4
35	90.3917.00	OR Ø 88.57x2.62 (3350)	1

POS	COD.	DESCRIZIONE – DESCRIPTION - KIT	NR
36	51.0301.22	Biella	3
37	51.0500.56	Guida pistone	3
38	91.4877.00	Linguetta 8x7x25 UNI 6604	1
39	99.1807.00	Vite M6x10 UNI 5937	4
40	50.1500.74	Coperchio carter	1
41	50.2115.51	Distanziale	1
42	90.4097.00	OR Ø 55.56x3.53 (159)	1
43	90.1634.00	Anello rad. Ø 25x42x7	1
44	90.0635.00	Anello seeger Ø 25	1
45	91.8328.00	Cuscinetto a sfere 6305	1
46	51.0217.65	Albero - W1208 - WW1510 – T1209 TT1512	1
	51.0204.65	Albero - W1210 – W1507 -WW1513 T1210 – T1508	1
	51.0200.65	Albero - WW1508 – TT1510	1
	51.0201.65	Albero - WW1511 – TT1513	1
	51.0206.65	Albero - WW1509 – TT1511	1
	51.0224.65	Albero - TT1508	1

POS	COD.	DESCRIZIONE – DESCRIPTION - KIT	NR
1	51.0106.22	Carter pompa	1
2	98.2100.00	Tappo G 3/8"x13	2
3	90.3833.00	OR Ø 13.95x2.62 (3056)	2
4	51.2090.51	Protezione	1
5	90.1565.00	Anello rad. Ø 15x24x5	83 3
6	98.2041.00	Tappo G 1/4"x9	2
7	51.1200.41	Testata Ø 15	1
	51.1204.41	Testata Ø 18	1
8	96.6938.00	Rondella Ø 6.4x10x0.7	8
9	99.1943.00	Vite M6x40 UNI 5931	8
10	90.3841.00	OR Ø 17.13x2.62 (3068)	123 6
11	36.2003.66	Sede valvola	123 6
12	36.2001.76	Valvola sferica	123 6
13	94.7376.00	Molla Ø 9.4x14.8	123 6
14	36.2025.51	Guida valvola	123 6
15	90.3847.00	OR Ø 20.24x2.62 (3081)	157 6
16	98.2216.00	Tappo M24x1.5x11.2	157 6

VERSION A (for electric motors NEMA 56 C)

**W905 – WW906 – WW907
T9051 – TT9061 – TT9071
T1209 – T1212 – T1508**

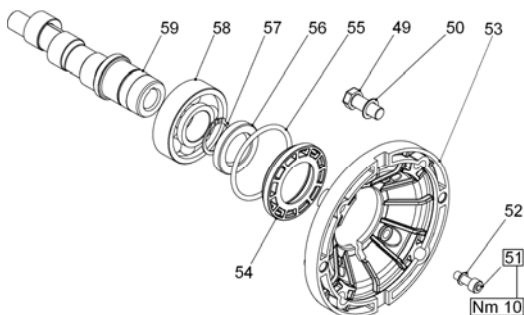


DIS. COD. 51.9517.00

POS	COD.	DESCRIZIONE - DESCRIPTION	NR
38	99.3345.00	Vite 3/8"x16	4
39	96.7104.00	Rosetta Ø 10,5x16x1	4
40	99.1867.00	Vite M6x18 UNI 5931	4
41	96.6938.00	Rosetta Ø 6.4x10x0.7	4
42	10.0344.22	Flangia per motore elettrico	1
43	50.2115.51	Distanziale	1
44	90.4097.00	OR Ø 55.56x3.53 (159)	1
45	90.1644.00	Anello rad. Ø 30x42x7	1
46	90.0667.00	Anello di fermo albero Ø 30	1
47	91.8373.00	Cuscinetto a sfere 6206	1
48	51.0208.65	Albero – WW906 – TT9061	1
	51.0209.65	Albero – WW907 – TT9071	1
	51.0215.65	Albero – W905 – T9051 – T1212 T1508	1
	51.0225.65	Albero – T1209	1

VERSION B (for electric motors IEC 90 B14)

**WW55 – WW56 – WW74 – WW75
WW90 – WW93 – WW94 – WW95
W1208 – W1210 – W1507 – WW1508
WW1510 – WW1511 – WW1513 – TT551
TT561 – TT741 – TT751 – TT901 – TT931
TT941 – TT951**

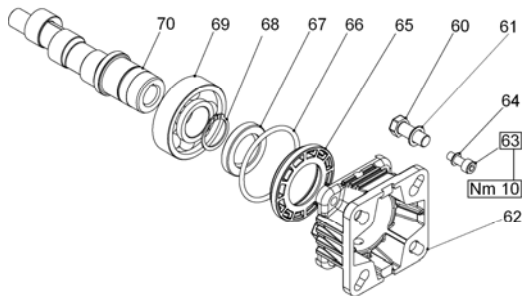


DIS. COD. 51.9518.00

POS	COD.	DESCRIZIONE - DESCRIPTION	NR
49	99.3067.00	Vite M8x25 UNI 5739	4
50	96.7014.00	Rosetta Ø 8.4x13x0.8	4
51	99.1867.00	Vite M6x18 UNI 5931	4
52	96.6938.00	Rosetta Ø 6.4x10x0.7	4
53	10.0345.22	Flangia per motore elettrico	1
54	50.2115.51	Distanziale	1
55	90.4097.00	OR Ø 55.56x3.53 (159)	1
56	90.1644.00	Anello rad. Ø 30x42x7	1
57	90.0667.00	Anello di fermo Ø 30	1
58	91.8373.00	Cuscinetto a sfere 6206	1
59	51.0212.65	Albero – WW55/74/90 TT551/741/901 – WW1508	1
	51.0213.65	Albero – WW56/75/93 TT561/751/631 – WW1511	1
	51.0214.65	Albero – WW94 – TT941 – W1210 W1507 – WW1513	1
	51.0216.65	Albero – WW95 – TT951 – W1208 WW1510	1

VERSION C (for gasoline engines SAE J 609 type A ext.3)

**WW906 – WW907 – WW909
TT9061 – TT9071 – TT9091 - TT1508
TT1510 – TT1511 – TT1512 – TT1513**

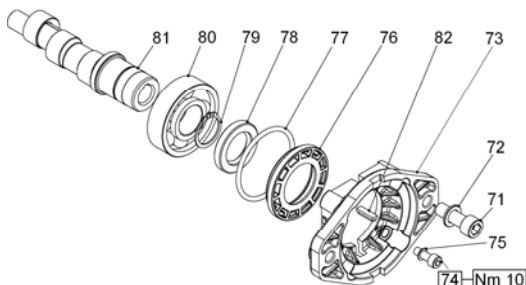


DIS. COD. 51.9519.00

POS	COD.	DESCRIZIONE - DESCRIPTION	NR
60	99.2730.00	Vite 5/16"x3/4"x24	4
61	96.7014.00	Rosetta Ø 8.4x13x0.8	4
62	10.0346.22	Flangia per motore a scoppio	1
63	99.1867.00	Vite M6x18 UNI 5931	4
64	96.6938.00	Rosetta Ø 6.4x10x0.7	4
65	50.2115.51	Distanziale	1
66	90.4097.00	OR Ø 55.56x3.53 (159)	1
67	90.1644.00	Anello rad. Ø 30x42x7	1
68	90.0667.00	Anello di fermo albero Ø 30	1
69	91.8373.00	Cuscinetto a sfere 6206	1
70	51.0210.65	Albero - WW906 – TT9061 – TT1508	1
	51.0211.65	Albero - WW907 – TT9071 – TT1511	1
	51.0218.65	Albero - WW909 – TT9091 – TT1513	1
	51.0223.65	Albero - TT1510	1
	51.0221.65	Albero - TT1512	1

VERSION I (for hydraulic motors SAE J 744 type A – 5/8")

WW1513



DIS. COD. 51.9585.00

POS	COD.	DESCRIZIONE - DESCRIPTION	NR
71	99.3686.00	Vite M10x30 UNI 5931	2
72	96.7103.00	Rosetta Ø 10.5x18x2	2
73	10.0763.22	Flangia per motore idraulico	1
74	99.1867.00	Vite M 6x18 UNI 5931	4
75	96.6938.00	Rosetta Ø 6.4x10x0.7	4
76	50.2115.51	Distanziale	1
77	90.4097.00	OR Ø 55.56x3.53 (159)	1
78	90.1644.00	Anello rad. Ø 30x42x7	1
79	90.0667.00	Anello di fermo albero Ø 30	1
80	91.8373.00	Cuscinetto a sfere 6206	1
81	51.0215.65	Albero - WW1513	1
82	91.4685.00	Linguetta 4/4.8x18	1

VH VERSION

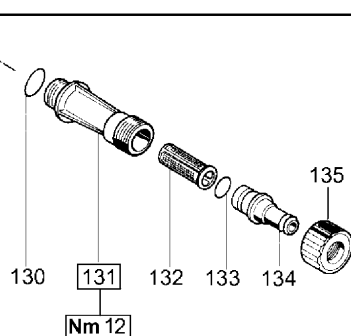
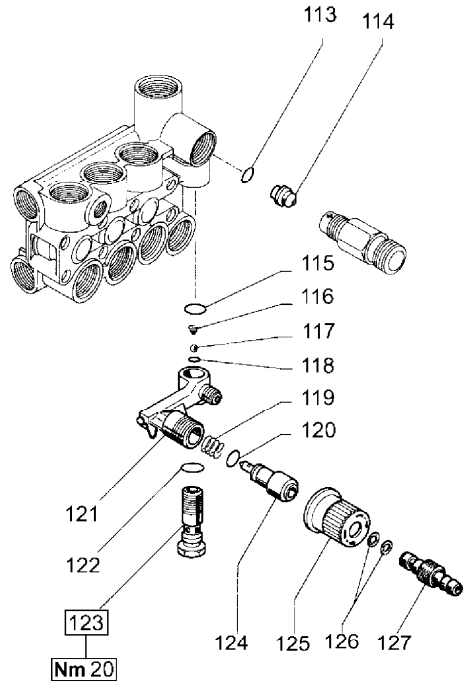
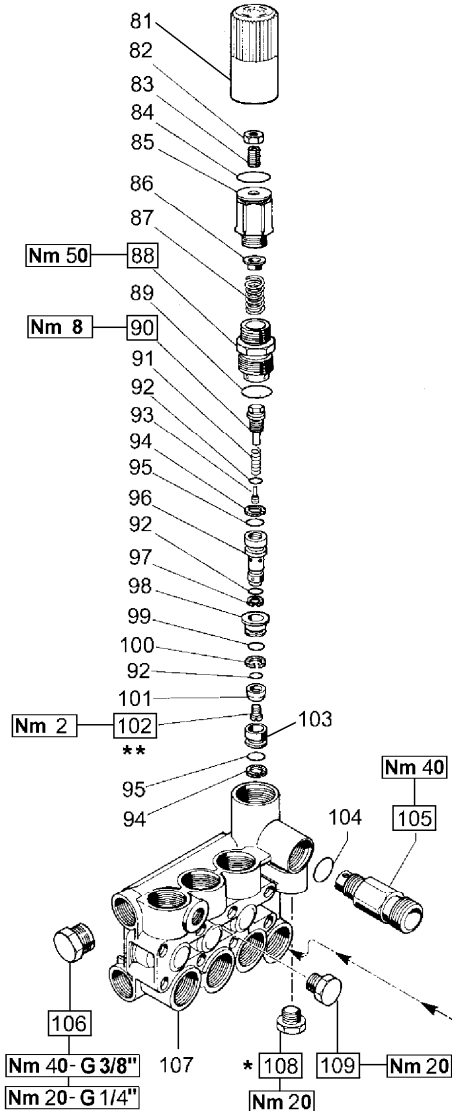
VERSIONE CON VALVOLA DI REGOLAZIONE AUT. – VERSION WITH BUILT-IN AUT. UNLOADER
 VERSION AVEC RÉGULATEUR AUT. DE PRESSION INCORPORÉ
 AUSFÜHRUNG MIT EINGEBAUTEM AUT. DRUCKREGULIERVENTIL

VERSIÓN CON REGULADOR AUT. DE PRESIÓN INCORPORADO - VERSÃO COM VÁLVULA DO REGULAMENTO AUT.

- * Fissare con Loctite 542 col. ROSSO
- * Affix with Loctite 542 col. RED
- * Fixer avec de la Loctite 542 couleur ROUGE
- * Mit Loctite 542 ROT befestigen
- * Fijar con Loctite 542 col. ROJO
- * Fixar com Loctite 542 cor. VERMELHA

- ** Fissare con Loctite 270 col. VERDE
- ** Affix with Loctite 270 col. GREEN
- ** Fixer avec de la Loctite 270 couleur VERT
- ** Mit Loctite 270 GRÜN befestigen
- ** Fijar con Loctite 270 col. VERDE
- ** Fixar com Loctite 270 cor. VERDE

OPTIONALS



DIS. COD. 51.9571.00

VH VERSION

**VERSIONE CON VALVOLA DI REGOLAZIONE AUT. – VERSION WITH BUILT-IN AUT. UNLOADER
 VERSION AVEC RÉGULATEUR AUT. DE PRESSION INCORPORÉ
 AUSFÜHRUNG MIT EINGEBAUTEM AUT. DRUCKREGULIERVENTIL
 VERSIÓN CON REGULADOR AUT. DE PRESIÓN INCORPORADO - VERSÃO COM VÁLVULA DO REGULAMENTO AUT.**

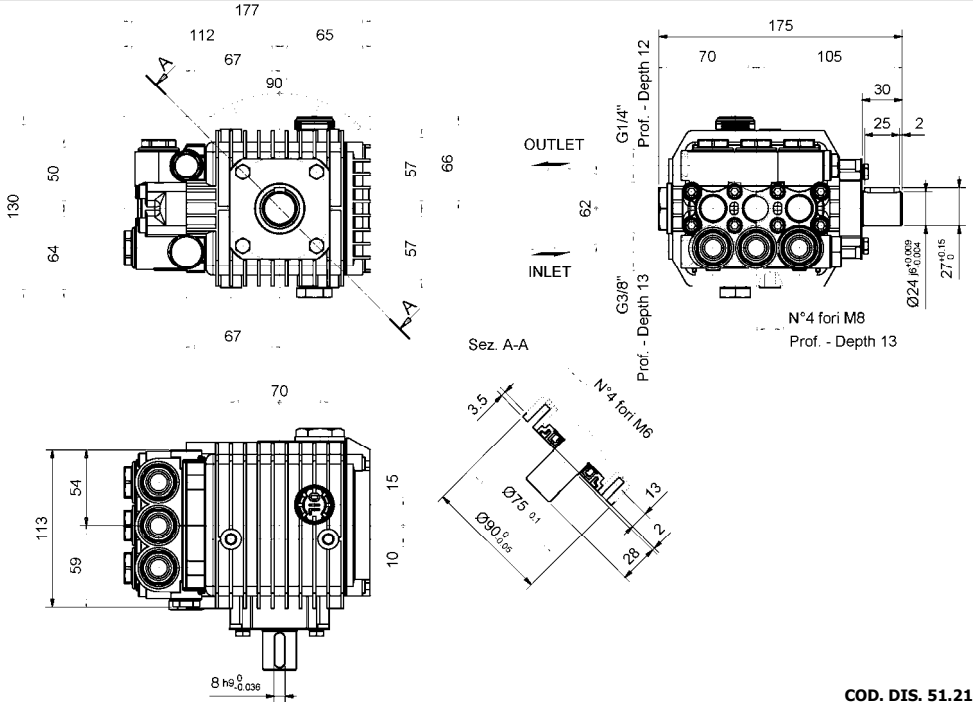
POS	COD.	DESCRIZIONE – DESCRIPTION - KIT	N
81	36.3187.51	Pomolo	1
82	92.2218.00	Dado M8x13 UNI 5589	1
83	99.3054.00	Vite M8x20 UNI 5923	1
84	90.3598.00	OR Ø 20.35x1.78 (2081)	1
85	36.3185.70	Registro pressione	1
86	36.3169.70	Piattello molla	1
87	94.7436.00	Molla Ø 15x35	1
88	36.3184.70	Boccola di guida 102	1
89	90.3847.00	OR Ø 20.24x2.62 (3081) – 90 Sh. 102	1
90	36.3188.70	Fine corsa 102	1
91	94.7332.00	Molla Ø 6.1x19 102	1
92	90.3575.00	OR Ø 6.75x1.78 (106) 102	3
93	36.3331.51	Otturatore 102	1
94	90.5065.00	Anello antiest. Ø 10.6x15x2 102	2
95	90.3822.00	OR Ø 9.92x2.62 (112) 102	2
96	36.3189.70	Pistoncino di comando 102	1
97	90.5025.00	Anello antiest. Ø 7x10x1.5 102	1
98	36.3165.70	Guida valvola 102	1
99	90.3589.00	OR Ø 12.42x1.78 (2050) 102	1
100	90.5075.00	Anello antiest. Ø 13x16x1.5 102	1
101	36.3190.66	Valvola sferica 102	1
102	99.1509.00	Vite M5x0.8x8.5 102	1
103	36.3164.66	Sede valvola 102	1
104	90.3832.00	OR Ø 13.95x2.62 (3056) 94	1
105	10.0147.70 10.0078.70 70.0318.70	Nipplo M22x1.5 con Ø 3 Nipplo G 3/8" con Ø 3 Nipplo 3/8" NPT con Ø 3 - USA	1 1 1
106	98.2041.00	Tappo G 1/4"x9	1
107	51.1201.41 51.1205.41	Testata Ø 15 Testata Ø 18	1 1
108	98.2057.00	Tappo M14x1.5	1
109	98.2041.00	Tappo G 1/4"x9	1

OPTIONALS			
POS	COD.	DESCRIZIONE – DESCRIPTION - KIT	N
113	90.3822.00	OR Ø 9.92x2.62 (112)	94 1
114	10.0151.66 10.0076.66	Ugello Ø 2 (8-11 l/min.) Ugello Ø2.2 (12-15 l/min.)	1 1
115	90.3582.00	OR Ø 9.25x1.78 (2037)	94 1
116	94.8217.00	Molla conica Ø 4.3/7.6x11	94 1
117	97.4782.00	Sfera Ø 7/32"	94 1
118	90.3572.00	OR Ø 5.28x1.78 (2021)	94 1
119	94.7383.00	Molla Ø 9.75x10	94 1
120	90.3580.00	OR Ø 8.73x1.78 (108)	94 1
121	36.3181.51	Corpo dosatore	1
122	90.3585.00	OR Ø 10.82x1.78 (2043)	94 1
123	36.2563.70	Sede valvola	1
124	36.2564.70	Otturatore	1
125	36.2565.51	Pomolo	1
126	90.3570.00	OR Ø 4.48x1.78 (2018)	94 2
127	36.2566.70	Innesto portagomma	1
130	90.3841.00	OR Ø 17.13x2.62 (3068)	1
131	36.3182.51	Nipplo aspirazione G 3/4"	1
132	92.8925.00	Filtro	1
133	90.3828.00	OR Ø 12.37x2.62 (3050)	1
134	36.2569.70	Portagomma aspirazione	1
135	92.9828.00	Ghiera G 3/4"	1

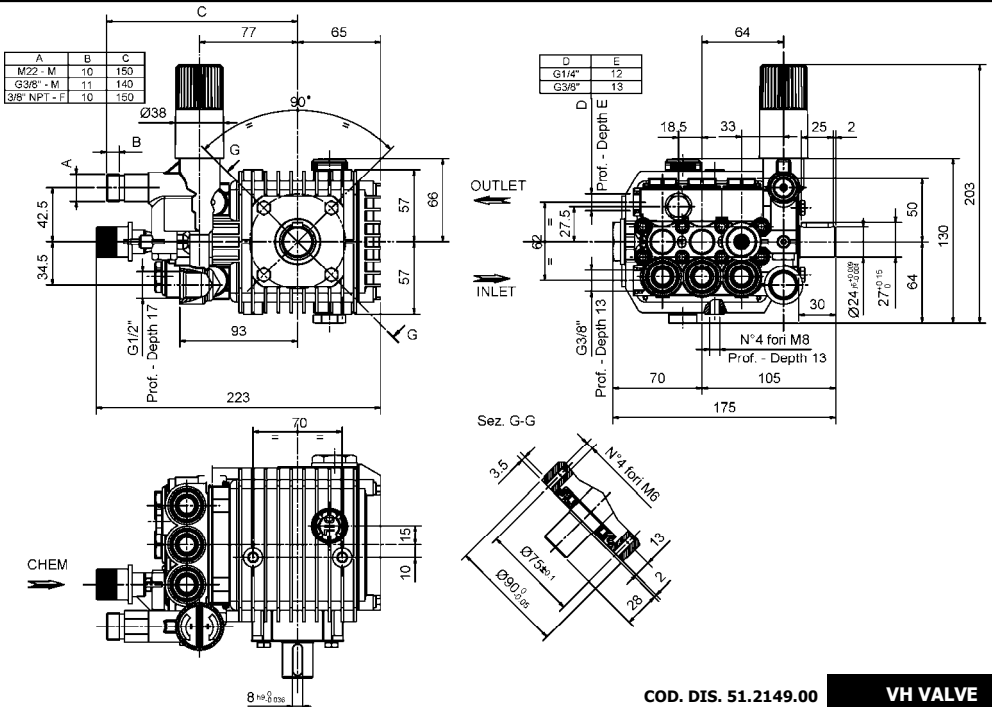
KIT RICAMBI – SPARE KITS

KIT NR.	KIT 94	KIT 102
Posizioni include Positions included	104 – 113 – 115 116 – 117 – 118 119 – 120 – 122 126	88 – 89 – 90 91 – 92 – 93 94 – 95 – 96 97 – 98 – 99 100 – 101 102 – 103
Nr. Pcs.	1 – 2	1 - 3

**DIMENSIONI D'INGOMBRO – OVERALL DIMENSIONS – DIMENSIÕES D'ENCOMBREMENT
RAUMBEDARF – DIMENSIONES TOTALES – DIMENSÕES**



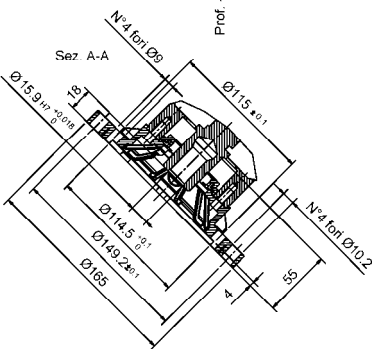
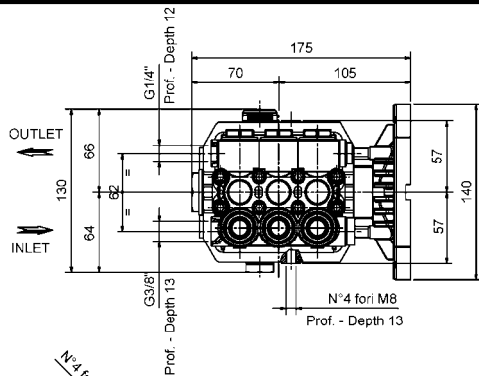
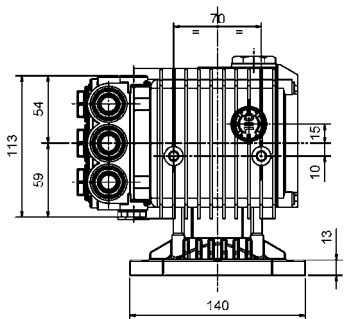
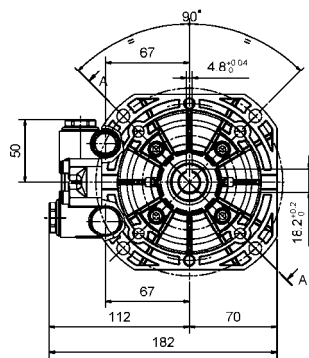
COD. DIS. 51.2145.00



COD. DIS. 51.2149.00

VH VALVE

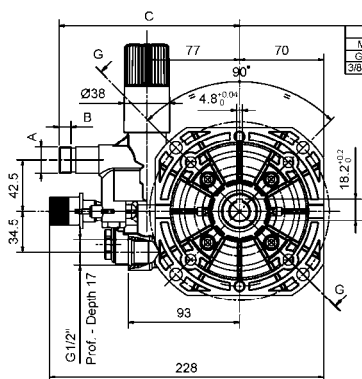
**DIMENSIONI D'INGOMBRO – OVERALL DIMENSIONS – DIMENSIÕES D'ENCOMBRIMENTO
RAUMBEDARF – DIMENSIONES TOTALES – DIMENSÕES**



**W905 – T9051
T1508
T1209
T1212
WW906 – TT9061
WW907 – TT9071**

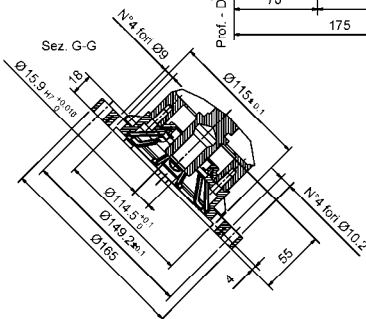
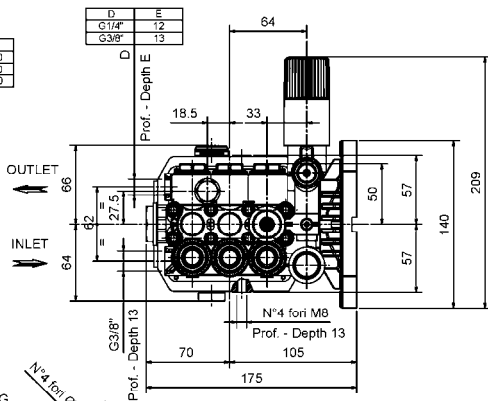
COD. DIS. 51.2146.00

A



	A	B	C
M22 - M	10	150	
G3/8" - M	11	140	
3/8" NPT - F	10	150	

D	E	F
G1/4"	12	
G3/8"	13	

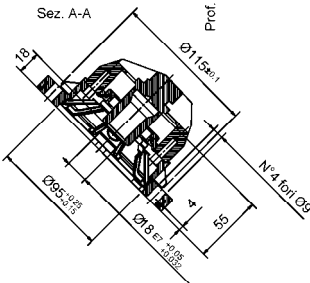
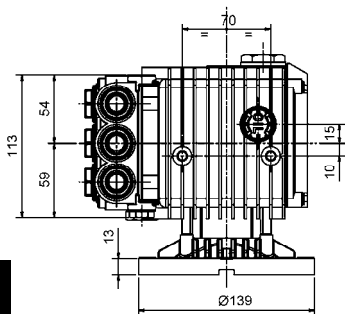
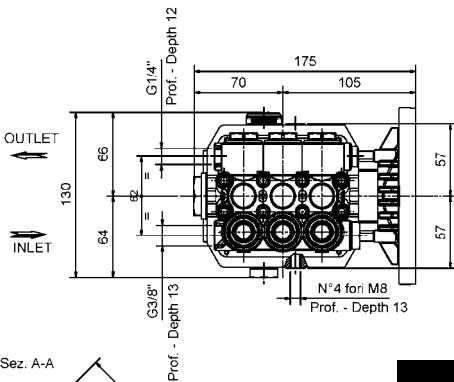
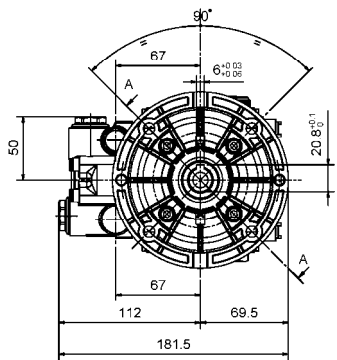


COD. DIS. 51.215300

VH VALVE

A

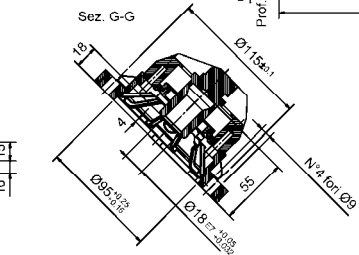
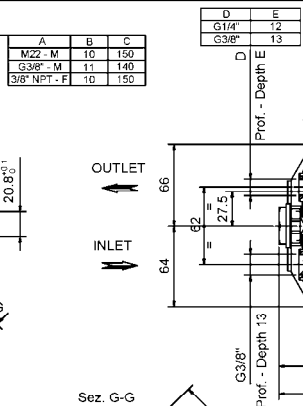
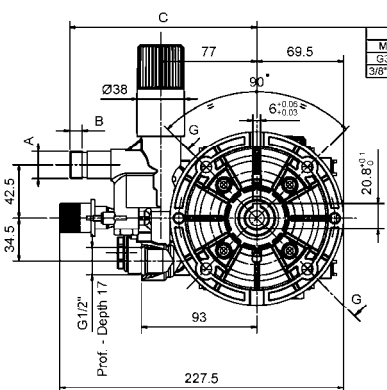
**DIMENSIONI D'INGOMBRO – OVERALL DIMENSIONS – DIMENSIÕES D'ENCOMBRAMENTO
RAUMBEDARF – DIMENSIONES TOTALES – DIMENSÕES**



- W1507**
- W1208**
- W1210**
- WW55 – TT551**
- WW74 – TT471**
- WW90 – TT901**
- WW1508**
- WW95 – TT951**
- WW1510**
- WW56 – TT561**
- WW75 – TT751**
- WW93 – TT931**
- WW1511**
- WW94 – TT941**
- WW1513**

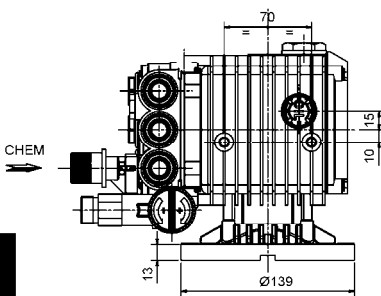
COD. DIS. 51.2147.00

B



A	B	C
M22 - M	10	150
G3/8" - M	11	140
3/8" NPT - F	10	150

D	E
G1/4"	12
G3/8"	13

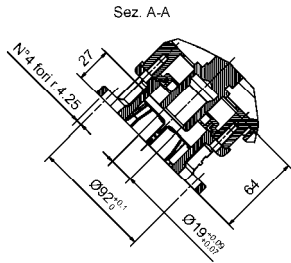
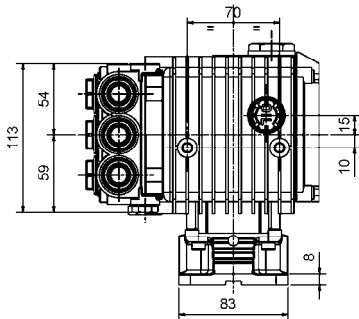
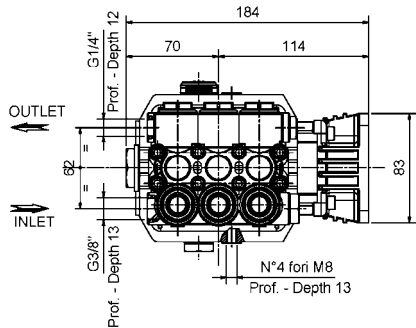
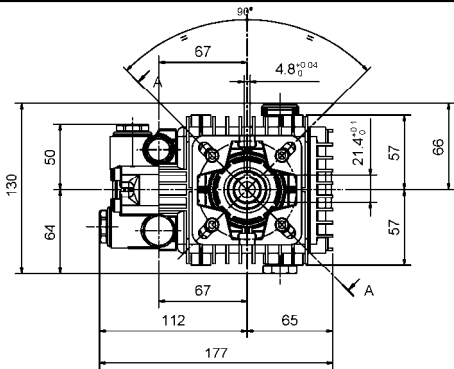


COD. DIS. 51.2154.00

VH VALVE

B

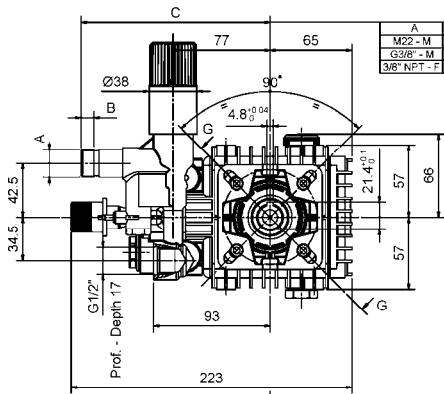
**DIMENSIONI D'INGOMBRO – OVERALL DIMENSIONS – DIMENSIONS D'ENCOMBREMENT
RAUMBEDARF – DIMENSIONES TOTALES – DIMENSÕES**



**WW906 – TT9061
TT1508
TT1510
WW907 – TT9071
TT1511
TT1512
WW909 – TT9091
TT1513**

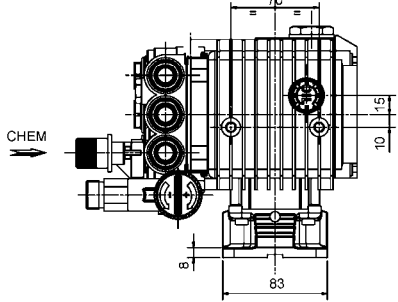
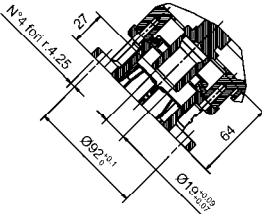
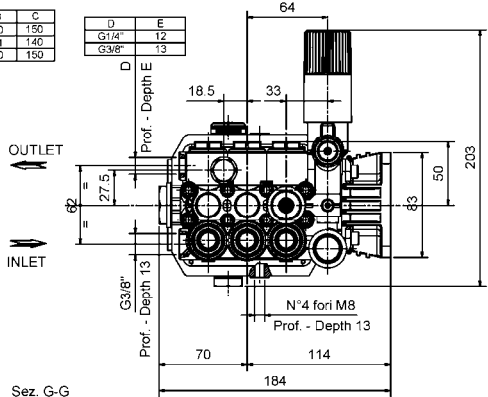
COD. DIS. 51.2148.00

C



	A	B	C
M22 - M	10	10	150
G3/8" - M	11	11	140
3/8" NPT - F	10	10	150

	D	E
G1/4"	12	
G3/8"	13	

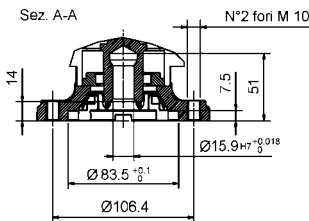
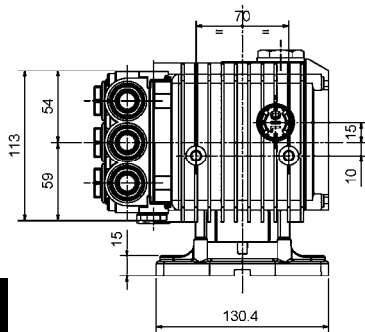
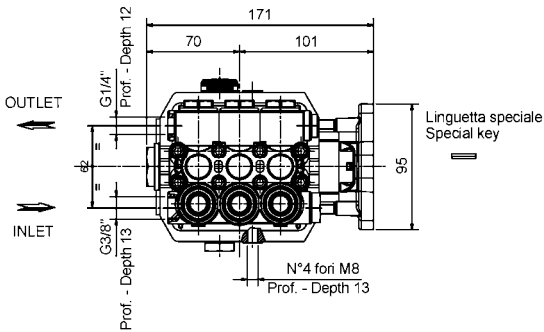
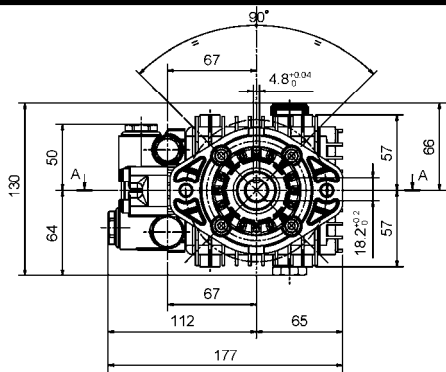


COD. DIS. 51.2155.00

VH VALVE

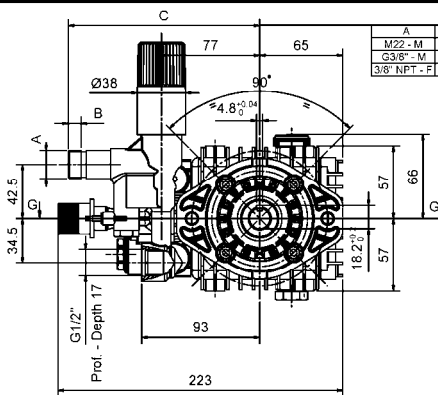
C

**DIMENSIONI D'INGOMBRO – OVERALL DIMENSIONS – DIMENSIÕES D'ENCOMBRAMENTO
RAUMBEDARF – DIMENSIONES TOTALES – DIMENSÕES**



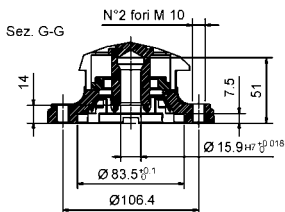
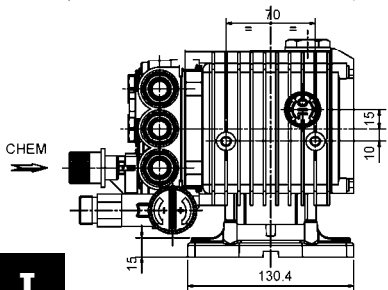
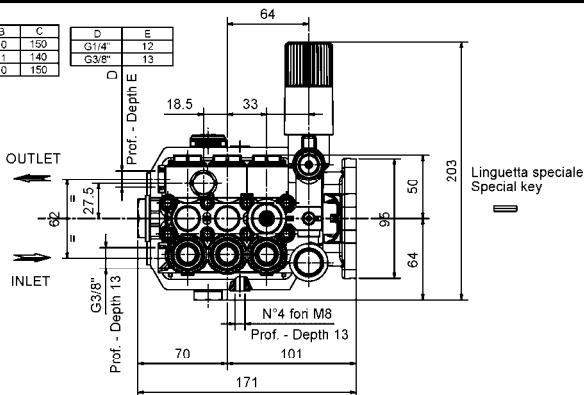
COD. DIS. 51.2141.00

WW1513



A	B	C
M22 - M	10	150
G3/8" - M	11	140
3/8" NPT - F	10	150

D	E
G1/4"	12
G3/8"	13

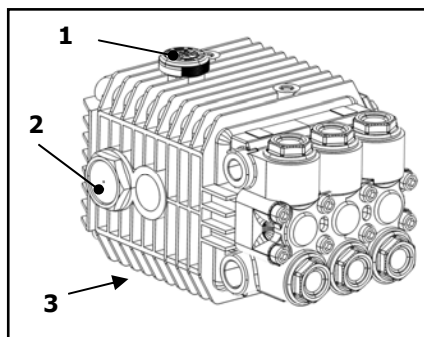


COD. DIS. 51.2166.00

VH VALVE

1 - CAMBIO OLIO

- 1.1 – Il cambio dell'olio va eseguito con pompa a temperatura di lavoro.
- 1.2 – Posizionare un recipiente sotto il tappo di scarico olio (3).
- 1.3 – Rimuovere il tappo con asta (1) e successivamente il tappo di scarico (3).
- 1.4 – Attendere fino a quando tutto l'olio è uscito, quindi riavvitare il tappo di scarico (3) con la coppia torcente indicata su disegno esploso.
- 1.5 – Riempire con olio nuovo fino al raggiungimento della mezzeria del tappo spia livello olio (2) e riavvitare il tappo con asta (1).



Per il tipo di olio da utilizzare fare riferimento a quanto indicato sul libretto generico.



ATTENZIONE: L'olio esausto deve essere raccolto in recipienti e smaltito negli appositi centri in accordo alla normativa vigente. Non deve essere assolutamente disperso nell'ambiente.

1 – OIL CHANGING

- 1.1 – Oil changing must be done with the pump at operating temperature.
- 1.2 – Put a container under the oil drain plug (3).
- 1.3 – Remove the oil dipstick (1) and then the drain plug (3).
- 1.4 – Wait until all the oil has drained out, then screw the drain plug (3) and tighten at the torque shown in the exploded diagram.
- 1.5 – Fill with new oil until the middle of the oil level indicator (2) is reached, screw by hand the oil dipstick (1).

Refer to the generic booklet for the type of oil to use.



WARNING: The exhaust oil must be collected in receptacles and disposed of at authorised centres as specified by law. It must not be thrown away in the environment.

1 - CHANGEMENT DE L'HUILE

- 1.1 – Le changement de l'huile doit être exécuté avec la pompe à température d'exercice.
- 1.2 – Placer un récipient sous le bouchon de vidange de l'huile (3).
- 1.3 – Enlever le bouchon-jauge (1), puis enlever le bouchon de vidange (3).
- 1.4 – Attendre que toute l'huile soit sortie, puis revisser le bouchon de vidange (3) avec le couple de torsion qui est indiqué sur le dessin éclaté.
- 1.5 – Remplir avec de l'huile neuve jusqu'à la ligne médiane du bouchon indicateur du niveau d'huile (2), et revisser le bouchon-jauge (1).

Pour le type d'huile à utiliser, se référer à ce qui est indiqué sur la notice générale.



ATTENTION : L'huile usée doit être recueillie dans des récipients et éliminée dans les centres prévus à cet effet, conformément à la réglementation en vigueur. Il ne faut absolument pas la jeter dans l'environnement.