

EQUIPAGGIAMENTI  
TECNICI  
LAVAGGIO

TESTINE ROTANTI

MOD. M25E ASPIRANTE



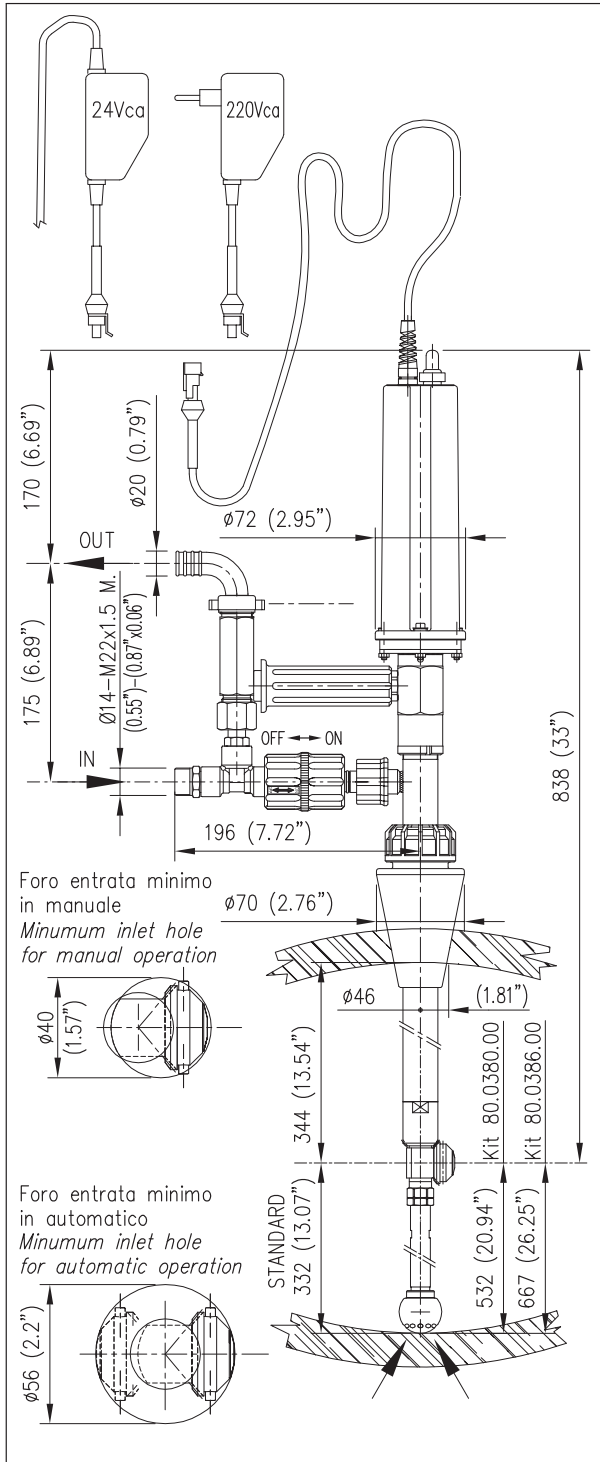
4 13

12.9413.00 20/12/05

M25E

- 25.4350.00 (I)-220Vca
- 25.4350.25 (I)-24Vca
- 25.4350.60 (USA)-110Vca
- 25.4350.24 (AUS)-240Vca

MANUALE D'ISTRUZIONE  
GENERAL INTRUCTION BOOK



TESTINA ELETTRICA PULIZIA  
CONTENITORI E BOTTI.  
ASPIRAZIONE INTERNA INTEGRATA.

- Testina per il lavaggio di contenitori e botti con sistema di aspirazione e scarico esterno del liquido utilizzato per il lavaggio.
- Portata ridotta, alta pressione, elevata forza di impatto.
- Copertura orbitale completa degli interni.
- Minimo ingombro radiale che ne permette l'introduzione attraverso passaggi ridotti.
- Alimentazione elettrica a bassa tensione.
- Costruzione in acciaio inox.
- Idonea per impiego settore alimentare.

ATTENZIONE !

- La Testina STANDARD è fornita di guarnizioni (DINAMICHE) in PTFE + O-Ring EPDM.
- Lubrificare esclusivamente con GRASSO SILICONICO codice: 14.6552.00
- Per l'utilizzo di liquidi detergenti, additivi chimici ecc. non compatibili con le guarnizioni standard è indispensabile contattare il nostro UFFICIO TECNICO.
- A richiesta le guarnizioni (DINAMICHE) O-RING sono disponibili anche in diverso materiale, NBR-FFKM(kalrez)-FKM(viton).
- Le guarnizioni (STATICHE) sono in FKM (viton).

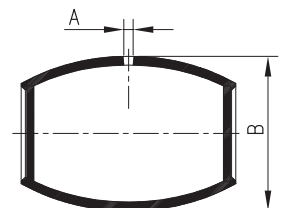
ELECTRICAL HEAD DESIGNED TO  
CLEAN SMALL TANKS AND BARRELS,  
EQUIPPED WITH SUCTION SYSTEM.

- Tank cleaning head ideal for cleaning all types of tanks and barrels. It washes and, at the same time, siphons off the water used during the cleaning process.
- Reduced flow, high pressure, high cleaning impact.
- Complete orbital coverage of all interior surfaces.
- Reduced spray turret that fits through small barrel and tank openings.
- Low tension electric power.
- Stainless steel construction.
- Suitable for utilization in food industry.

ATTENTION !

- The STANDARD Tank cleaning head is supplied with seals (DYNAMIC) in PTFE + O-Ring EPDM.
- Lubricate ONLY with SILICONE GREASE P/N: 14.6552.00
- For use with Detergent liquid, Chemical additives etc that are not compatible with the standard seals, it is essential to contact our TECHNICAL OFFICE for further information.
- On request, the O-RING seals (DYNAMIC) are available in different materials such as NBR-FFKM(kalrez)-FKM(viton).
- The STATIC seals are in FKM (viton).

	A	B max.
-Testina standard	Ø46	Ø730
-Testina + Kit 80.0380.00	Ø50	Ø940
-Testina + Kit 80.0386.00	Ø50	Ø1070



ATTENZIONE: NON UTILIZZARE  
L'APPARECCHIO PRIMA DI AVER LETTO  
QUESTO MANUALE DI ISTRUZIONE

CAUTION: DO NOT USE THE  
CLEANING HEAD BEFORE HAVING READ  
THE INSTRUCTION BOOK

# CARATTERISTICHE TECNICHE TECHNICAL SPECIFICATIONS

M25E

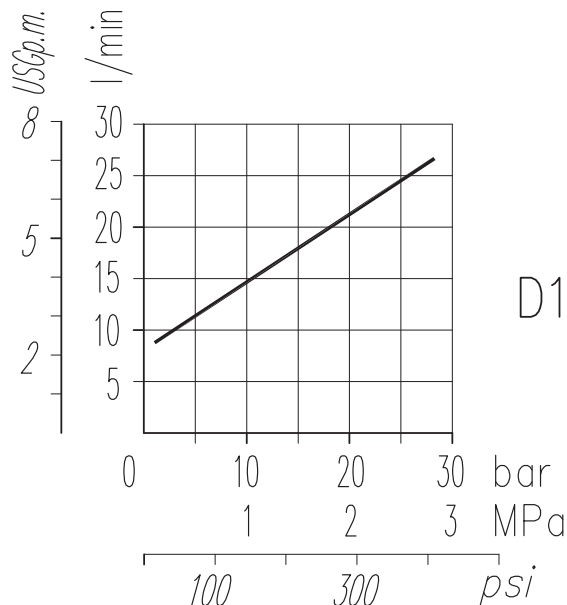


21/01/09

- PRESSIONE NOMINALE <i>RATED PRESSURE</i>	MIN 60 bar - 6 MPa (870 psi)	140 bar - 14 MPa (2000 psi)
- PRESSIONE CONSENTITA <i>PERMISSIBLE PRESSURE</i>		160 bar - 16 MPa (2300 psi)
- PORTATA MASSIMA <i>MAX FLOW RATE</i>	MIN 10 l/min (2,6 USGp.m.)	25 l/min (6,5 USGp.m.)
- FATTORE DI PORTATA UGELLO VENTURI (ASPIRAZIONE) <i>FLOW FACTOR OF THE VENTURI NOZZLE (SUCTION)</i>		F.P. 02
- TEMPERATURA MASSIMA ACQUA <i>MAX WORKING TEMPERATURE</i>		90 °C (195°F)
- PESO <i>WEIGHT</i>		5.2 Kg
- FREQUENZA ROTAZIONE ASSE PRINCIPALE <i>MAIN AXIS ROTATING SPEED</i>		14 RPM
- ATTACCO ALIMENTAZIONE ACQUA <i>INLET CONNECTION SIZE</i>		ø14-M22x1.5 M (A)
- ATTACCO SCARICO ACQUA (PORTAGOMMA) <i>WATER OUTLET FITTING (HOSE BARB)</i>		ø20
- ATTACCO UGELLI N°2 <i>NOZZLES CONNECTION N°2</i>		M4
- TEMPO PER UN CICLO COMPLETO DI LAVAGGIO <i>TIME FOR A COMPLETE CLEANING CYCLE</i>		3 min
- MOTORE ELETTRICO: <i>ELECTRIC MOTOR:</i>		8W - 12V.cc
- ALIMENTATORE: <i>POWER SUPPLY:</i>	25.4350.00/25.4355.00 - 230V-50Hz/12V.cc-1A	25.4350.25 - 24V-ca/12V.cc-1A
		25.4350.60 - 110V-60Hz/12V.cc-0.8A
- LUNGHEZZA CAVO ALIMENTAZIONE: <i>POWER CABLE LENGTH</i>	25.4350.24 - 240V-50Hz/12V.cc-1A	10 m
- TENUTE ( N.B. USARE SOLO GRASSO AL SILICONE codice:14.6552.00) <i>SEALS ( N.B. USE P/N: 14.6552.00 SILICONE GREASE ONLY )</i>		(EPDM+PTFE) (VITON)

CADUTA DI PRESSIONE IN FUNZIONE DELLA PORTATA

LOSS OF PRESSURE IN RELATION TO FLOW



D2

UGELLI - NOZZLES

	codice	D(mm)	l/min(100bar)	F.P.
*	80.0350.51	1.00	4.6	02
	25.1191.51	1.05	5	023
*	80.0351.51	1.10	5.6	025
	25.1192.51	1.15	6.1	027
*	80.0352.51	1.20	6.7	03
	25.1193.51	1.25	7.1	032
*	80.0353.51	1.30	7.8	035
	25.1098.51	1.35	8.4	037
*	80.0354.51	1.40	9.1	04
	25.1194.51	1.45	9.7	043
	25.1095.51	1.50	10.3	045
	25.1195.51	1.55	11.2	05
	25.1196.51	1.60	12	053
	25.1197.51	1.62	12.6	055
	25.1186.51	1.66	13.7	06
	25.1198.51	1.72	14.8	065
	25.1199.51	1.8	16	07
	25.1085.51	2.00	18.2	08

\* Ugelli forniti di serie (tipo corto)

\* Standard nozzles supplied (short type) 12-2



SCELTA INDICATIVA FATTORE DI PORTATA N°2 UGELLI  
 INDICATIVE CHOICE OF FLOW FACTOR N°2 NOZZLES

PRESSIONE bar – MPa – PRESSURE PSI

PORTATA POMPA l/min – PUMP FLOW GMP

25 6,5								160 16 2300	145 14,5 2100	135 13,5 1960	125 12,5 1810	110 11 1600	100 10 1450	95 9,5 1380	85 8,5 1230	70 7 1010	60 6 870
24 6,3							165 16,5 2400	150 15 2200	135 13,5 1960	125 12,5 1810	115 11,5 1670	100 10 1450	95 9,5 1380	90 9 1300	80 8 1150	65 6,5 940	
23 6,1							155 15,5 2250	140 14 2000	125 12,5 1810	115 11,5 1670	105 10,5 1560	95 9,5 1380	85 8,5 1230	80 8 1150	75 7,5 1080	60 6 870	
22 5,8							160 16 2300	140 14 2000	125 12,5 1810	115 11,5 1670	105 10,5 1520	100 10 1450	85 8,5 1230	80 8 1150	75 7,5 1080	70 7 1010	
21 5,5							155 15,5 2250	145 14,5 2100	125 12,5 1810	115 11,5 1670	105 10,5 1560	95 9,5 1380	90 9 1300	80 8 1150	75 7,5 1080	65 6,5 940	
20 5,3							160 16 2300	140 14 2000	130 13 1900	115 11,5 1670	105 10,5 1560	95 9,5 1380	85 8,5 1230	80 8 1150	75 7,5 1080	65 6,5 940	
19 5							160 16 2300	145 14,5 2100	130 13 1900	120 12 1750	105 10,5 1520	95 9,5 1380	85 8,5 1230	80 8 1150	75 7,5 1080	65 6,5 940	
18 4,8							165 16,5 2400	145 14,5 2100	130 13 1900	115 11,5 1670	105 10,5 1520	95 9,5 1380	85 8,5 1230	80 8 1150	70 7 1010	65 6,5 940	
17 4,5							165 16,5 2400	150 15 2200	130 13 1900	115 11,5 1670	100 10 1450	95 9,5 1380	85 8,5 1230	80 8 1150	70 7 1010	65 6,5 940	
16 4,2							145 14,5 2100	130 13 1900	115 11,5 1670	100 10 1450	90 9 1300	85 8,5 1230	75 7,5 1080	70 7 1010	60 6 870		
15 4							130 13 1900	115 11,5 1670	100 10 1450	90 9 1300	80 8 1150	75 7,5 1080	65 6,5 940	60 6 870			
14 3,7							110 11 1600	100 10 1450	90 9 1300	80 8 1150	70 7 1010	65 6,5 940					
13 3,4							95 9,5 1380	85 8,5 1230	75 7,5 1080	65 6,5 940	60 6 870						
12 3,2							80 8 1150	75 7,5 1080	60 6 870								
11 2,9							70 7 1010	60 6 870									

FATTORE PORTATA N°1 UGELLO FLOW FACTOR N°1 NOZZLE	*		*		*		*		*		*		*		*		*	
	02	023	025	027	03	032	035	037	04	043	045	05	053	055	06	07	08	
N° UGELLI DA MONTARE N° OF NOZZLES TO BE FITTED	2	2	2	2	2	2	2	2	2	2	2	2	2	2	2	2	2	

\* UGELLI DISPONIBILI TIPO CORTO  
 \* NOZZLES AVAILABLE SHORT TYPE

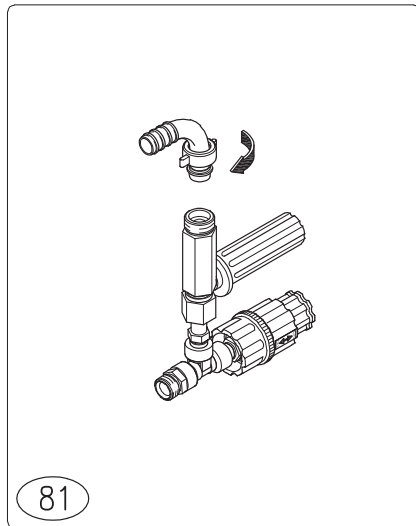
N.B. E' OBBLIGATORIO MONTARE N°2 UGELLI AVENTI LO STESSO FATTORE DI PORTATA  
 N.B. IT IS MANDATORY TO FIT 2 NOZZLES HAVING THE SAME FLOW FACTOR



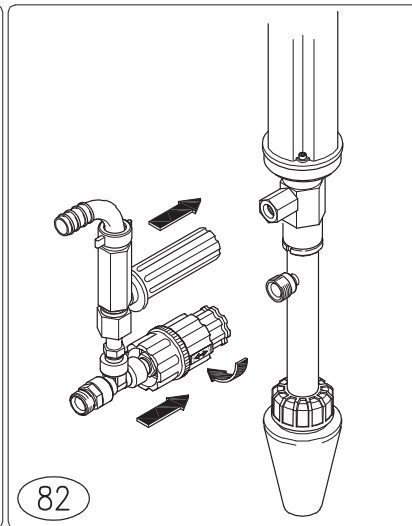
EQUIPAGGIAMENTI  
TECNICI  
LAVAGGIO

MONTAGGIO RAMO ALIMENTAZIONE M25E  
FEEDER GROUP ASSEMBLY M25E  
MONTAGE DU GROUPE D'ALIMENTATION M25E  
MONTAGE DES ANSAUGAGGREGATES DER M25E

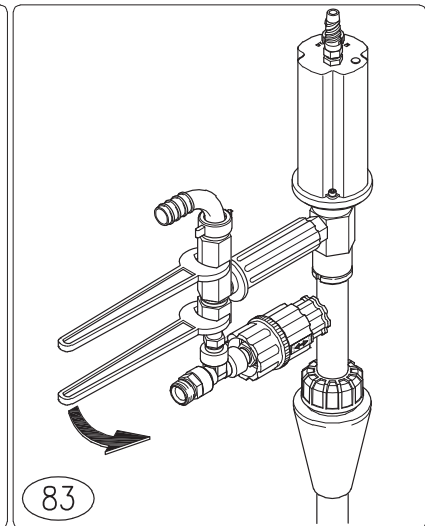
I	GB	4	13
F	D		
12.9413.05		15/12/03	



81



82



83

ITALIANO

- Avvitare il raccordo a curva come indicato in fig.81.
- Unire il gruppo aspirazione appena montato alla testina. Introdurre la maniglia nel raccordo sul manicotto ed avvitare contemporaneamente la ghiera al filetto sul tubo (fig.82).
- Con due chiavi a forcella di 27 mm stringere il raccordo e la ghiera come in fig.83.

ENGLISH

- Screw on the curve joint as shown in fig.81.
- Assemble the suction group that has just been mounted to the head. Insert the handle into the joint on the sleeve and at the same time screw the ring nut to the thread on the tube (fig.82).
- With two 27 mm fork wrenches tighten the joint and the ring nut as in fig.83.

FRANÇAIS

- Visser le raccord courbé comme le montre la fig.81.
- Unir à la tête le groupe aspiration qui vient d'être monté. Introduire la poignée dans le raccord sur le manchon et visser dans le même temps la bague au filet sur le tube (fig. 82).
- Avec deux clefs à fourche de 27 mm, serrer le raccord et la bague comme le montre la fig.83.

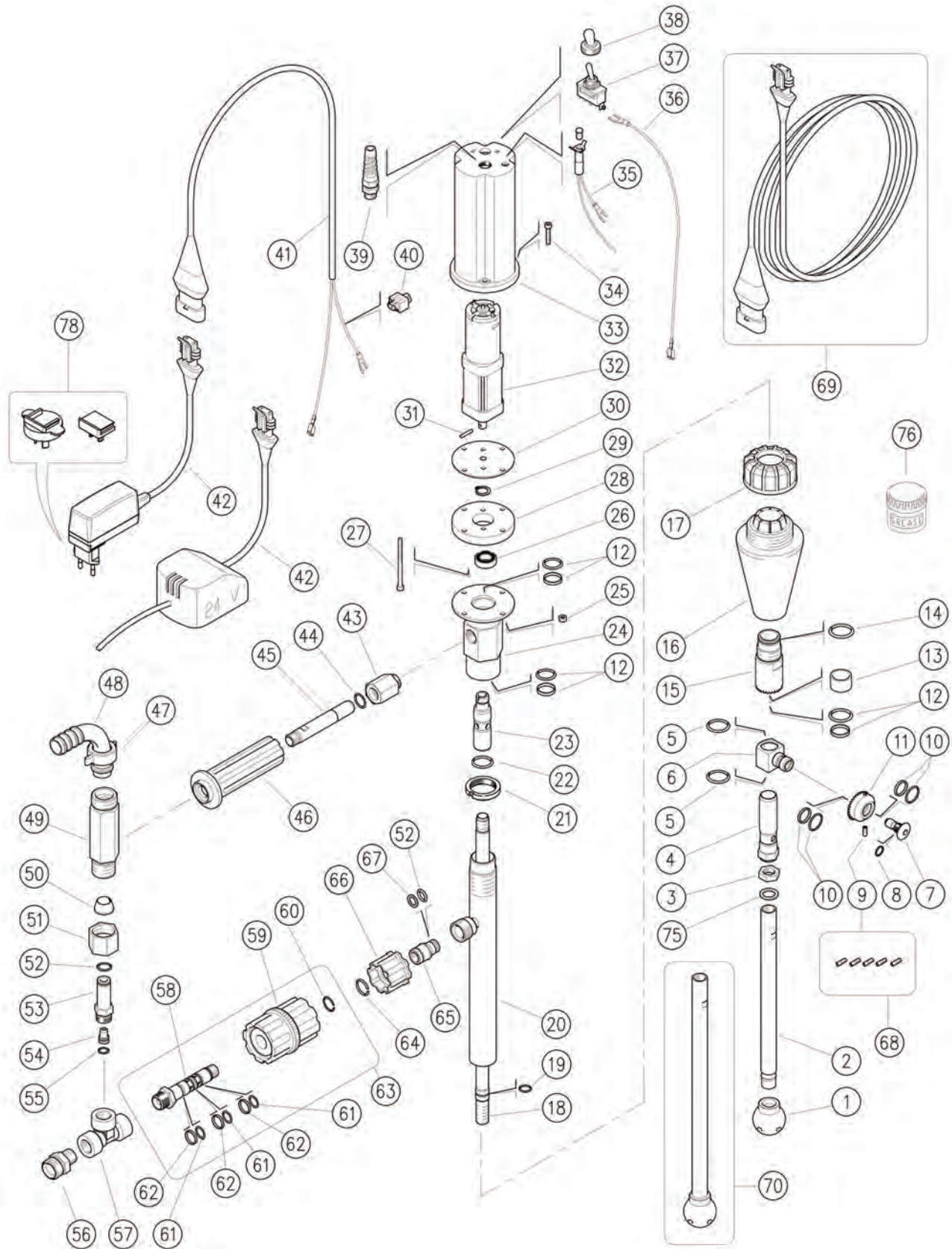
DEUTSCH

- Das gebogene Rohr wie auf Abbildung 81 gezeigt anschrauben.
- Das soeben montierte Ansaugaggregat mit dem Kopf verbinden. Den Griff in den Anschluss an der Muffe einführen und gleichzeitig die Überwurfmutter am Gewinde des Rohres anschrauben (Abb.82).
- Den Anschluss und die Überwurfmutter wie auf Abbildung 83 gezeigt mit zwei Maulschlüsseln zu 27 mm festziehen.



25.4350.00 M25E Barrel cl.,elect.driv+suction  
25.4350.25 M25E Barrel cl.,el.driv+suct.24V AC

25.4350.60 M25E Barrel cl.,+suct. 115V AC/60Hz USA



Pos.	P/N	Description	Q.ty	K1	K2	K3	K4	Pos.	P/N	Description	Q.ty	K1	K2	K3	K4
1	80.0330.81R	Pierced buffer, POM white	1				5	36	12.5019.25R	Cable, 1x0,75 L.250 mm	1				5
2	80.0329.56R	Suction tube, 1/4F Bsp 280mm Sst.	1				5	37	12.5016.20R	On/off unipol. switch+protec.	1				3
3	80.0328.51R	Ring nut, 1/4F Bsp Sst.	1				5	39	13.5997.00R	Cable gland 1/4 +protection	1				5
4	80.0327.51R	Seal holding pin, Sst.	1				3	40	12.5019.47R	Wire tap-in	1				5
5	10.3010.10R	O-ring, 1x18 mm Vi 70	2	•	•	•	10	41	12.5019.10R	Cable, 2x1,5 mm 10m+F connection	1				5
6	80.0331.51R	Stator, Sst.	1				1	42	12.5071.00R	Transf. 230VAC/12VDC EU (1)	1				1
7	80.0325.51R	Pin, M10x1 Sst.	1				1	42	12.5071.25R	Transf. 24VAC/12VDC EU (2)	1				1
8	10.3055.10R	O-ring, 1,78x7,66 mm Vi 70	1	•	•	•	10	42	12.5071.60	Transf. 115VAC-60Hz/12VDC USA+AUS (3)	1				1
9	15.3704.00R	Plug, M4 plast.	2				4	43	80.0338.31R	Coupl., M16x1 M brass+Ni	1				5
9	80.0350.51R	Nozzle, 02 - 1,0mm - M4 Sst. light green	2	•			10	44	10.3179.10R	O-ring, 2,62x13,94 mm Vi 70	1	•	•	•	10
9	80.0351.51R	Nozzle, 025 - 1,1mm - M4 Sst. pink	2	•			10	45	80.0337.56R	Intake tube, 1/4M Bsp 113mm Sst.	1				3
9	80.0352.51R	Nozzle, 03 - 1,2mm - M4 Sst. white	2	•			10	46	80.0344.85R	Knob, 32x110mm PP black	1				5
9	80.0353.51R	Nozzle, 035 - 1,3mm - M4 Sst. brown	2	•			10	47	80.0347.35R	Hand nut, G3/4 brass+Ni	1				5
9	80.0354.51R	Nozzle, 04 - 1,4mm - M4 Sst. yellow	2	•			10	48	80.0346.35R	Elbow+hose barb, 20mm brass+Ni	1				3
10	10.2030.00R	Stem seal, 15x20x2,2 mm +O-ring	2	•	•	•	4	49	80.0336.31R	Venturi fitting, brass+Ni	1				3
11	80.0326.51R	Nzl hold. pinion, z.41 M4 FF Sst.	1				3	50	80.0335.81R	Taper.ring,opn. 14x20x11mm POM white	1				10
12	10.2030.18R	Stem seal, 18x23x2 mm +O-ring Epdm	3	•	•	•	5	51	80.0334.31R	Ring nut, M24x1,5 brass+Ni	1				5
13	80.0024.85R	Bushing, opn. 18x22x14,8mm PTFE	1				5	52	10.3109.95R	O-ring, 2,4x9,3 mm Vi 70	2	•	•	•	25
14	10.3026.10R	O-ring, 1,5x20 mm Vi 70	1	•	•	•	10	53	80.0333.31R	Nozzle holder, 3/8M Bsp brass+Ni	1				3
15	80.0372.23R	Pinion, z.34 Sst.+bushing,opn.PTFE	1				3	54	25.0019.51R	Nozzle, 02 d.10,5x15 mm Sst.	1				5
16	80.0021.84R	Tapered plug, TPEs black	1				3	55	10.3052.00R	O-ring, 1,78x6,75 mm	1	•	•	•	25
17	80.0316.84R	Ring nut, PP black	1				10	56	80.0348.31R	Coupl., 3/8M Bsp-M22x1 M brass+Ni	1				3
18	80.0322.56R	Tube, 1/4Bsp MM 600mm Sst.	1				3	57	80.0349.35R	T-fitting, 3/8Bsp FFF brass+Ni	1				3
18	80.0389.56R	Tube, 1/4Bsp MM 500mm Sst.	1				3	58	80.0402.31R	Slide valve, 3/8M-1/4M Bsp brass	1				3
19	10.3007.10R	O-ring, 1x12 mm Vi 70	1	•	•	•	10	59	80.0403.21R	Knob, PA black + Insert, brass	1				3
20	80.0343.21R	Tube + coupling, M22 Sst.	1				3	60	29.0402.51R	Snap ring, 1,6x14,3 mm Sst.	1				5
21	80.0012.51R	Ring nut, M28x1 Sst.	1				2	61	10.3058.10R	O-ring, 1,78x10,82 mm Vi 70	3		•		10
22	10.3205.10R	O-ring, 2,62x26,64 mm Vi 70	1	•	•	•	10	62	10.4058.00R	Back-up ring, opn. 14x16x2 mm	3			•	10
23	80.0321.51R	Propeller shaft, Sst.	1				1	63	80.0400.00R	Flow regulator -RF1, 3/8M -1/4M Bsp	1				3
24	80.0341.21R	Manifold, Sst.	1				2	64	26.0252.51R	Snap ring, 1,5x15,5 mm Sst.	1				10
25	11.4513.10R	Hex. nut, M4, Sst.	4				10	65	26.0261.31R	Plug, 14mm-1/4F Bsp brass	1				10
26	11.4412.28R	Ball-bearing, 12x28x8 mm - 2RS1 Sst.	1				3	66	26.0260.22R	Hand nut, M22x1,5 - 17,5mm black	1				10
27	16.1860.00R	Screw, DIN912 M4x60 mm Sst.	2				10	67	10.4010.01R	Back-up ring,10,2x13,9x1,2mm	1	•	•	•	50
28	80.0318.41R	Motor flange	1				3	68	25.4320.24R	Nozzle kit M4 - M21E 2x5pcs.	1				1
29	10.0999.05R	Snap ring, E 12 Sst.	1				10	69	25.4353.20R	Exten.-M21E 20m 12V DC MF **	1				1
30	80.0317.88R	Motor seal, NBR	1				10	70	80.0380.00	Suction tube, for Ø940mm barrel **	1				1
31	15.1030.00R	Roll pin, 3x16 mm Sst.	1				10	70	80.0386.00	Suction tube, for Ø1070mm barrel **	1				1
32	13.0827.00R	Gearmotor, 12V 10Rpm	1				1	71	10.3066.10R	O-ring, 1,78x15,6 mm Vi 70	2		•		10
33	80.0301.84R	Motor casing, PA black	1				1	75	14.3911.00R	Washer, 13,5x19x1,5 mm Cu	1				10
34	16.1856.00R	Screw, DIN912 M4x25 mm Sst.	4				10	76	14.6552.00R	Teflon silicon grease x30g.>All **	1				2
35	12.5019.31R	Pilot lamp	1				5								

\*\* On request

Kit	P/N	Description	Q.ty
K1	25.4320.24R	Nozzle kit M4 - M21E 2x5pcs.	1
K2	25.4356.24	Seals Kit -M25E (S/No.1-100) 13x1pcs.	1
K3	25.4357.24	Seals Kit - M25E (S/No.101-518) 12x1pcs.	1
K4	25.4360.24	Seals Kit - M25E (S/No.519>) 13x1pcs.	1

(1) 25.4350.00 (2) 25.4350.25 (3) 25.4350.60





Pos.	P/N	Description	Q.ty	K1	K2	K3	K4	Pos.	P/N	Description	Q.ty	K1	K2	K3	K4
1	80.0330.81R	Pierced buffer, POM white	1				5	37	12.5016.20R	On/off unipol. switch+protec.	1				3
2	80.0367.51R	Coupl., M16x1 M Sst.	1				1	39	13.5997.00R	Cable gland 1/4 +protection	1				5
3	80.0328.51R	Ring nut, 1/4F Bsp Sst.	1				5	40	12.5019.47R	Wire tap-in	1				5
4	80.0327.51R	Seal holding pin, Sst.	1				3	41	12.5019.10R	Cable, 2x1,5 mm 10m+F connection	1				5
5	10.3010.10R	O-ring, 1x18 mm Vi 70	2	•			10	42	12.5071.00R	Transf. 230VAC/12VDC EU (1)	1				1
6	80.0331.51R	Stator, Sst.	1				1	42	12.5071.60	Transf. 115VAC-60Hz/12VDC USA+AUS (2)	1				1
7	80.0325.51R	Pin, M10x1 Sst.	1				1	42	12.5071.25R	Transf. 24VAC/12VDC EU (3)	1				1
8	10.3055.10R	O-ring, 1,78x7,66 mm Vi 70	1	•			10	42	12.5071.60	Transf. 115VAC-60Hz/12VDC USA+AUS (4)	1				1
9	15.3704.00R	Plug, M4 plast.	2				4	43	80.0338.31R	Coupl., M16x1 M brass+Ni	1				5
9	80.0350.51R	Nozzle, 02 - 1,0mm - M4 Sst. light green	2	•			10	44	10.3179.10R	O-ring, 2,62x13,94 mm Vi 70	1	•			10
9	80.0351.51R	Nozzle, 025 - 1,1mm - M4 Sst. pink	2	•			10	45	80.0337.56R	Intake tube, 1/4M Bsp 113mm Sst.	1				3
9	80.0352.51R	Nozzle, 03 - 1,2mm - M4 Sst. white	2	•			10	46	80.0344.85R	Knob, 32x110mm PP black	1				5
9	80.0353.51R	Nozzle, 035 - 1,3mm - M4 Sst. brown	2	•			10	47	80.0347.35R	Hand nut, G3/4 brass+Ni	1				5
9	80.0354.51R	Nozzle, 04 - 1,4mm - M4 Sst. yellow	2	•			10	48	80.0346.35R	Elbow+hose barb, 20mm brass+Ni	1				3
10	10.2030.00R	Stem seal, 15x20x2,2 mm +O-ring	2	•			4	49	80.0336.31R	Venturi fitting, brass+Ni	1				3
11	80.0326.51R	Nzl hold. pinion, z.41 M4 FF Sst.	1				3	50	80.0335.81R	Taper.ring,opn. 14x20x11mm POM white	1				10
12	10.2030.18R	Stem seal, 18x23x2 mm +O-ring Epdm	3	•			5	51	80.0334.31R	Ring nut, M24x1,5 brass+Ni	1				5
13	80.0024.85R	Bushing, opn. 18x22x14,8mm PTFE	1				5	52	10.3109.95R	O-ring, 2,4x9,3 mm Vi 70	2	•			25
14	10.3026.10R	O-ring, 1,5x20 mm Vi 70	1	•			10	53	80.0333.31R	Nozzle holder, 3/8M Bsp brass+Ni	1				3
15	80.0372.23R	Pinion, z.34 Sst.+bushing,opn.PTFE	1				3	54	25.0019.51R	Nozzle, 02 d.10,5x15 mm Sst.	1				5
16	80.0365.84R	Tapered plug, short TPEs black	1				3	55	10.3052.00R	O-ring, 1,78x6,75 mm	1	•			25
17	80.0316.84R	Ring nut, PP black	1				10	56	80.0348.31R	Coupl., 3/8M Bsp-M22x1 M brass+Ni	1				3
18	80.0364.56R	Tube, 1/4Bsp MM 420mm Sst.	1				3	57	80.0349.35R	T-fitting, 3/8Bsp FFF brass+Ni	1				3
19	10.3007.10R	O-ring, 1x12 mm Vi 70	2	•			10	58	80.0402.31R	Slide valve, 3/8M-1/4M Bsp brass	1				3
20	80.0362.21R	Tube, 322mm + coupling, M22 Sst.	1				3	59	80.0403.21R	Knob, PA black + Insert, brass	1				3
21	80.0012.51R	Ring nut, M28x1 Sst.	1				2	60	29.0402.51R	Snap ring, 1,6x14,3 mm Sst.	1				5
22	10.3205.10R	O-ring, 2,62x26,64 mm Vi 70	1	•			10	61	10.3058.10R	O-ring, 1,78x10,82 mm Vi 70	3	•			10
23	80.0321.51R	Propeller shaft, Sst.	1				1	62	10.4058.00R	Back-up ring, opn. 14x16x2 mm	3	•			10
24	80.0341.21R	Manifold, Sst.	1				2	63	80.0400.00R	Flow regulator -RF1, 3/8M -1/4M Bsp	1				3
25	11.4513.10R	Hex. nut, M4, Sst.	4				10	64	26.0252.51R	Snap ring, 1,5x15,5 mm Sst.	1				10
26	11.4412.28R	Ball-bearing, 12x28x8 mm - 2RS1 Sst.	1				3	65	26.0261.31R	Plug, 14mm-1/4F Bsp brass	1				10
27	16.1860.00R	Screw, DIN912 M4x60 mm Sst.	2				10	66	26.0260.22R	Hand nut, M22x1,5 - 17,5mm black	1				10
28	80.0318.41R	Motor flange	1				3	67	10.4010.01R	Back-up ring,10,2x13,9x1,2mm	1	•			50
29	10.0999.05R	Snap ring, E 12 Sst.	1				10	68	25.4320.24R	Nozzle kit M4 - M21E 2x5pcs.	1				1
30	80.0317.88R	Motor seal, NBR	1				10	69	80.0371.21R	Spring, Sst.	1				1
31	15.1030.00R	Roll pin, 3x16 mm Sst.	1				10	70	80.0370.86R	Hose, 10x12, 339mm PA white	1				1
32	13.0827.00R	Gearmotor, 12V 10Rpm	1				1	71	80.0366.51R	Suction coupl., 1/4F Bsp-M16x1 M Sst.	1				1
33	80.0301.84R	Motor casing, PA black	1				1	72	25.4353.20R	Exten.-M21E 20m 12V DC MF **	1				1
34	16.1856.00R	Screw, DIN912 M4x25 mm Sst.	4				10	73	25.4367.24	Suction tube kit -M25E, 6x1pcs.	1				1
35	12.5019.31R	Pilot lamp	1				5	74	14.3911.00R	Washer, 13,5x19x1,5 mm Cu	1				10
36	12.5019.25R	Cable, 1x0,75 L.250 mm	1				5	75	14.6552.00R	Teflon silicon grease x30g.>All **	1				2

\*\* On request

Kit	P/N	Description	Q.ty
K1	25.4320.24R	Nozzle kit M4 - M21E 2x5pcs.	1
K2	25.4360.24	Seals Kit - M25E (S/No.519>) 13x1pcs.	1

(1) 25.4363.00 (2) 25.4363.24 (3) 25.4363.25 (4) 25.4363.60