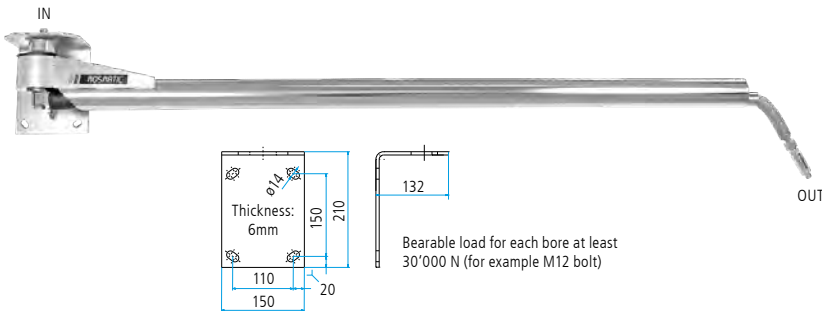
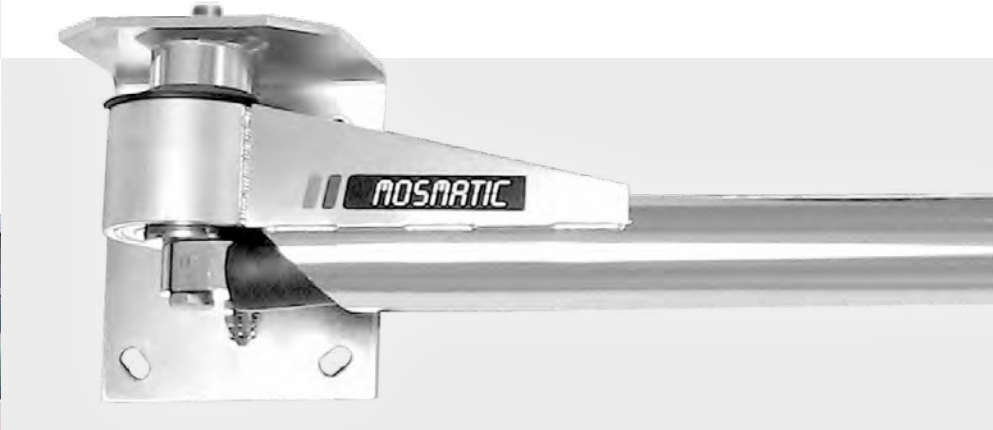


- ✓ 180° smooth rotation
- ✓ Insulated HP-hose
- ✓ Multiple industry application

Wall-mounted booms are ideal for outdoor areas or in wash bays where ceiling mounts are not an option. The wall bracket is designed for the boom to return to the resting position you selected.

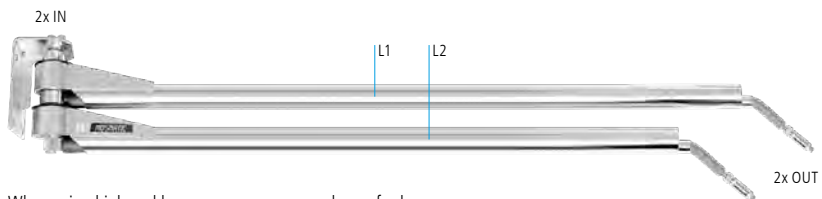


### WAE (with HP-hose)

Part No.	L	Weight
68.502	1450	10.2kg
68.512	1600	10.9kg
68.522	1750	11.6kg
68.532	1900	12.3kg
68.542	2050	13.0kg
68.552	2250	13.7kg
68.562	2500	14.9kg
68.572	2750	16.1kg
68.582	3000	17.3kg

### WAE (with pipe)

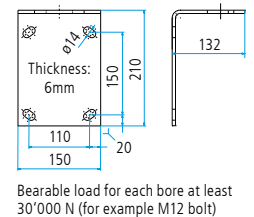
Part No.	L	Weight
68.301	1450	10.0kg
68.302	1600	10.7kg
68.303	1750	11.4kg
68.304	1900	12.1kg
68.305	2050	12.8kg
68.306	2250	13.4kg
68.307	2500	14.6kg
68.308	2750	15.8kg
68.309	3000	17.0kg



When using high and low pressure, use upper boom for low pressure.

### WAD

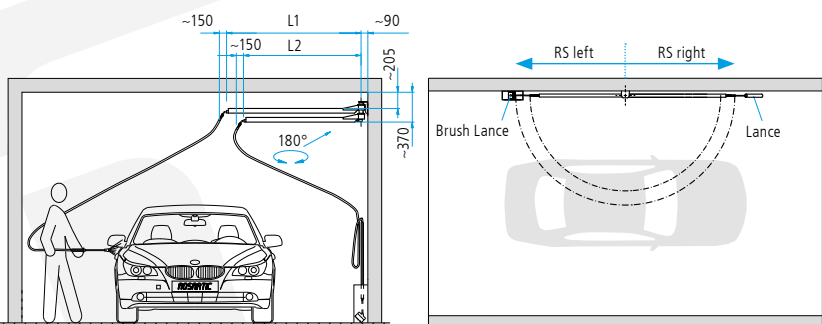
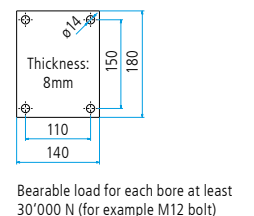
Part No.	L1	L2	Weight
61.402	1600	1450	19.1kg
61.412	1750	1600	19.9kg
61.422	1900	1750	20.7kg
61.432	2050	1900	21.5kg
61.442	2250	2050	22.4kg
61.452	2500	2250	23.6kg



Wall-Boom available with choice of park positions. w/o (neutral), left or right.

### WAN (with pipe)

Part No.	L	RS	Weight
60.001	2000	left	8.6kg
60.002	2000	without	8.6kg
60.003	2000	right	8.6kg
60.021	2500	left	11.3kg
60.022	2500	without	11.3kg
60.023	2500	right	11.3kg



### TECHNICAL DATA

<b>Pressure</b>	275 bar (27.5 MPa)
<b>Temperature</b>	120°C
<b>Inlet (top &amp; side)</b>	G1/4" F (other options available)
<b>Outlet</b>	G1/4" M (other options available)
<b>Throughput medium</b>	water, oil, air at pH 3-12

### Legend

M... = metric thrust, ...M = male, F = female, G = gas pipe thrust, QV = quick connects, SV = profile ring fitting  
 D = diameter, k = conical, L = length, NW = nominal width, SW = wrench size, IN = media input, OUT = media output, RS = basic position